

 **ITALIANA**<sup>®</sup>  
f e r r a m e n t a

# Kimana Skin



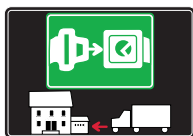
HINGES





# SYMBOLS AND FINISHES LEGEND

## SYMBOLS



= SHELF SAFELY LOCKED DURING TRANSPORTATION AND AT HOME.



= ANTI-TURNOVER LOCKING SYSTEM



= NORMS / PATENTS



= PHILLIPS / POZIDRIV



= WITH BUFFER



= PART NO.



= BLADE SLOT



= WITH MAGNET



= PCS. PER PACKAGE



= COMBI SLOT



= HEXAGONAL SOCKET



= NEWTON



= CAPACITY LOADING



= HEXALOBULAR SOCKET



= FRICTION



= WOOD / GLASS THICKNESS



= COUNTERSUNK HEAD



= AUTOMATIC



= HOLE DIAMETER



= PAN HEAD



= DROP DOWN



= DIAMETER



= FLANGE HEAD



= LENGTH



= FLAT HEAD



= STANDARD HINGE



= HEIGHT



= TRILOBULAR SCREW



= KIMANA HINGE



= RIGHT VERSION



= SELF-TAPPING SCREW



= FLAP HINGE



= LEFT VERSION



= EURO THREAD



= WITH SPRING



= SETTING CODE



= METRIC THREAD



= WITHOUT SPRING



= PCS. PER PAD



= PRE-INSERTED SCREW



= REVERSED SPRING



= CUT ON REQUEST



= PRE-INSERTED SCREW AND SPREADING BUSH



= WITH FLANGE



= SELF ADHESIVE

NOTE: Printing errors and omissions may exist despite our best efforts to ensure accuracy. We reserve the right to alter specifications without notice.

## MATERIALS

<b>ZA</b> = Zinc Alloy	<b>ST</b> = Steel	<b>HSS</b> = High Speed Steel	<b>BR</b> = Brass	<b>ABS</b> = Acrylonitrile Butadiene Styrene
<b>ZAnk</b> = Nickel-plated Zinc Alloy	<b>STzk</b> = Zinc-plated Steel	<b>AL</b> = Aluminium	<b>WD</b> = Wood	<b>EVA</b> = Ethylene Vinyl Acetate

<b>EP</b> = <b>ENGINEERING PLASTIC</b>	+ <b>EP</b> = other engineering plastic available on request	<b>SR</b> = <b>SOFT RUBBER</b>	+ <b>SR</b> = other soft rubber available on request
--	--	--------------------------------	--

<b>EPn</b> = Natural Engineering Plastic	<b>EPc</b> = Clear Engineering Plastic	<b>SRn</b> = Natural Soft Rubber
<b>EPw</b> = White Engineering Plastic	<b>EPg</b> = Grey Engineering Plastic	<b>SRw</b> = White Soft Rubber
<b>EPwg</b> = Water Green Engineering Plastic	<b>EPa</b> = Anthracite Engineering Plastic	<b>SRb</b> = Black Soft Rubber



## FINISHES

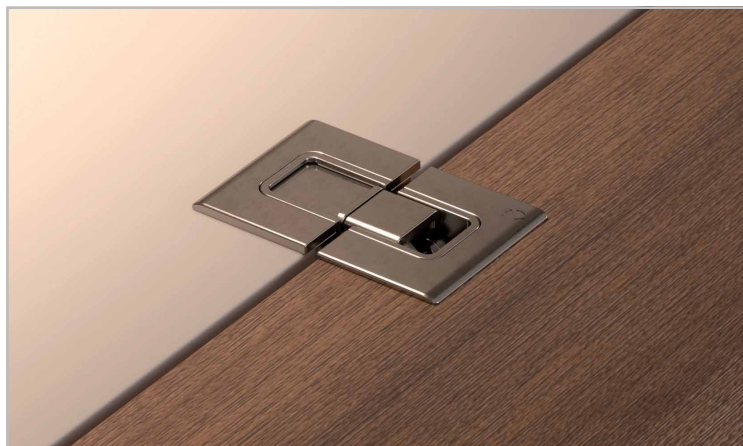


+ **OTHER FINISHES AVAILABLE ON REQUEST**

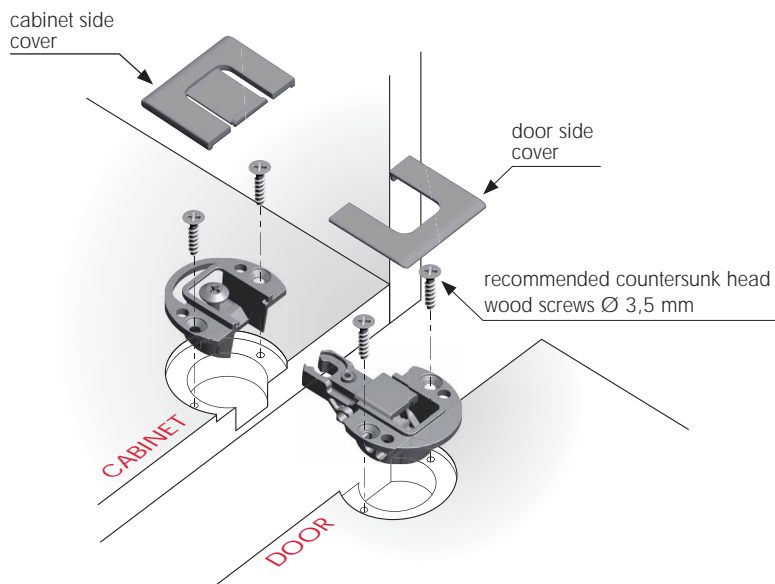
PART NO.	FINISHES	PART NO.	FINISHES	PART NO.	FINISHES
OO	Insignificant finish	IF	Middle Grey	RO	Red
AA	Natural	IJ	Light Grey	UT	T-Met 9007
AB	White	IL	Grey 20	UZ	T-Met
AE	White 9010	IN	Grey met. 26	WA	Bronzed
EA	Black	JB	Bright Aluminium	WI	Burnished
EC	Matt Black	JC	Aluminium - Chrome	XD	Satin-finished Steel
EE	Anthracite	JD	Matt Aluminium	YA	Nickel-plated
EW	Grey 9007	JE	Satin-finished Aluminium	YB	Bright Nickel-plated
FU	Gunmetal	JF	Aluminium - Brass	YC	Matt Nickel-plated
FV	Gunmetal V52	JG	Aluminium 5	YD	Satin-finished Nickel-plated
GR	Raw	JL	Aluminium PE 11	YQ	Black Nickel
HA	Brass-Plated	JM	Aluminium RAL 9006	Z9	Black Zinc
HH	Tropicalized	KA	Chrome	ZA	Zinc alloy
HL	Raw Brass	KB	Bright Chrome	ZN	Zinc-plated
HX	Graphite	KC	Matt Chrome	ZQ	Bright Gold
IA	Grey	LD	Brown 8019	ZY	Titanium
IB	Metallic Grey	NN	Metallic Beige	ZZ	Clear



## KIMANA SKIN



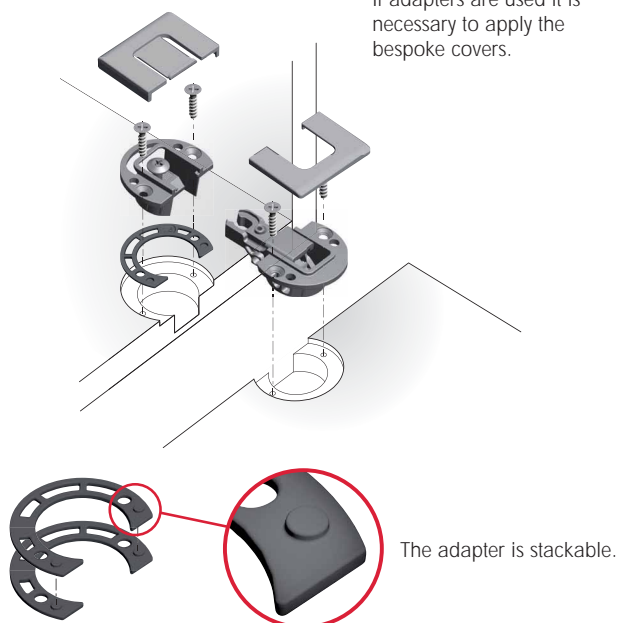
### STANDARD INSTALLATION (Application shown for minimum thickness 18 mm)



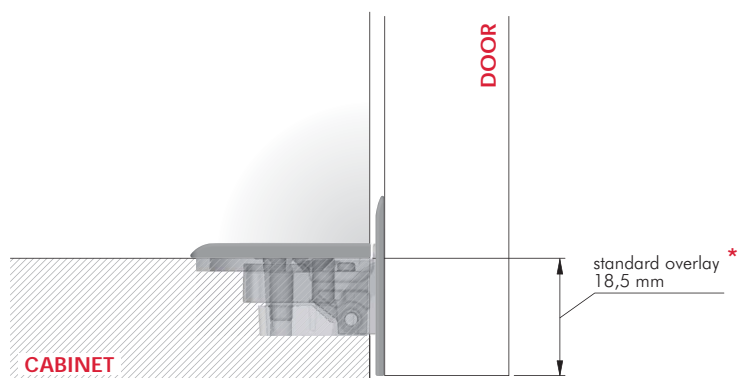
### INSTALLATION WITH ADAPTERS

### VERY IMPORTANT

If adapters are used it is necessary to apply the bespoke covers.

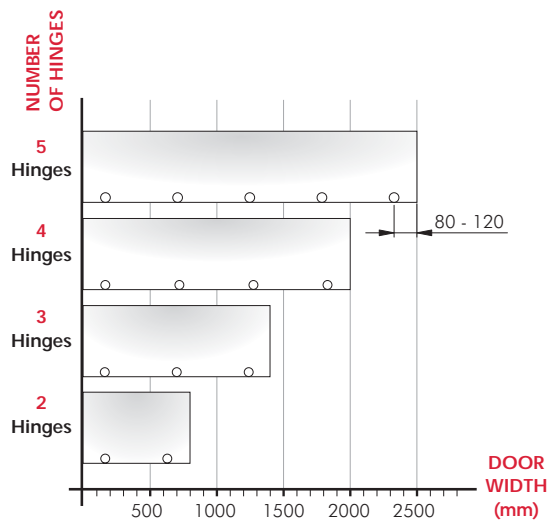


### OVERLAY WITH STANDARD DRILLING PLAN



\* this dimension can be changed by modifying the drilling plane or by using the spacers.

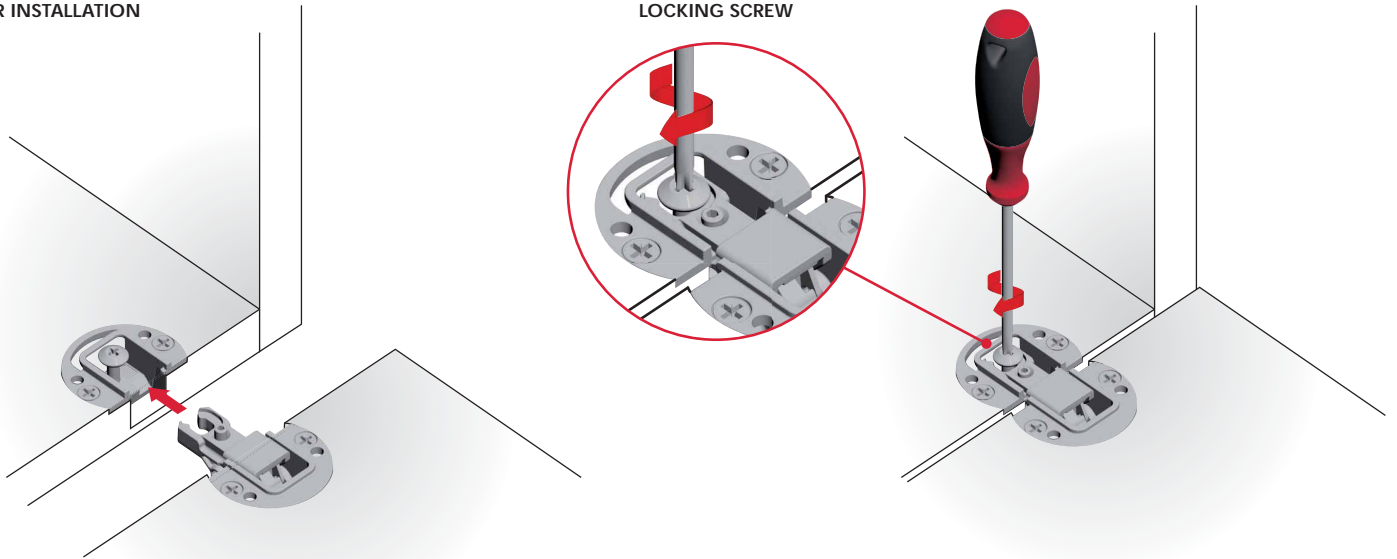
### RECOMMENDED NUMBER OF KIMANA SKIN PER DOOR



Due to various factors, the quantities stated in the chart are indicative.



### DOOR INSTALLATION

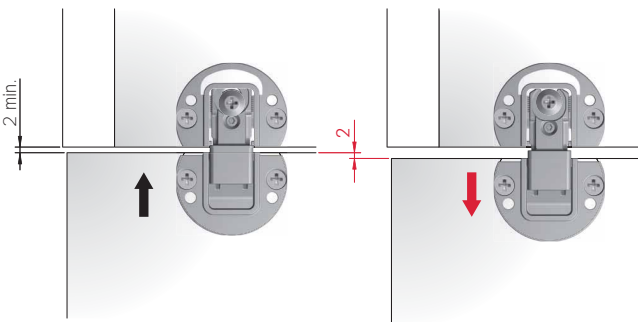


### LOCKING SCREW

### ADJUSTMENTS AND ASSEMBLING

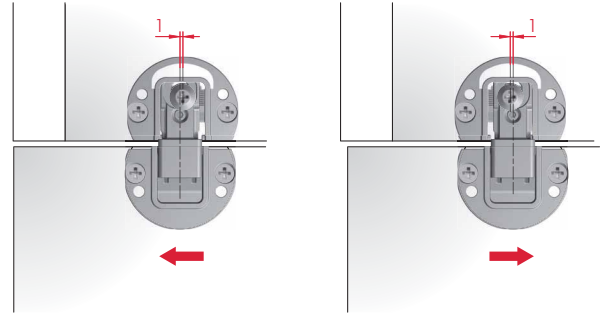
#### IN-DEPTH ADJUSTMENT 0+2 mm

**⚠ TO BE MADE BEFORE LOCKING SCREW OPERATION ⚠**

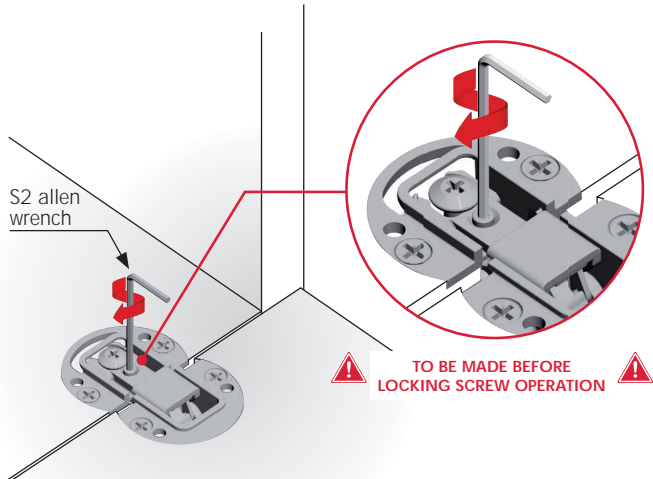


#### LATERAL ADJUSTMENT 0±1 mm

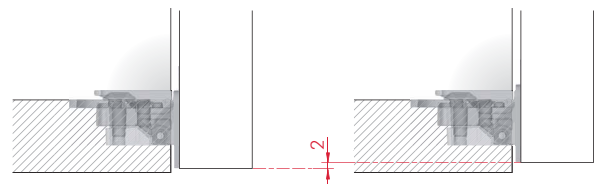
**⚠ TO BE MADE BEFORE LOCKING SCREW OPERATION ⚠**



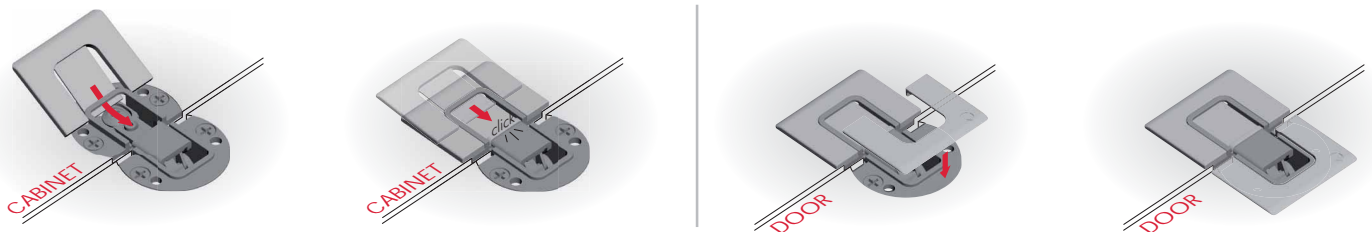
### OVERLAP ADJUSTMENT

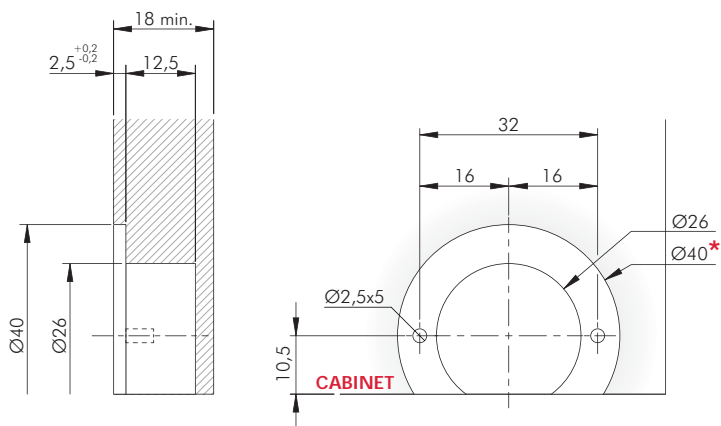


+2 mm vertical adjustment



### COVERS ASSEMBLING

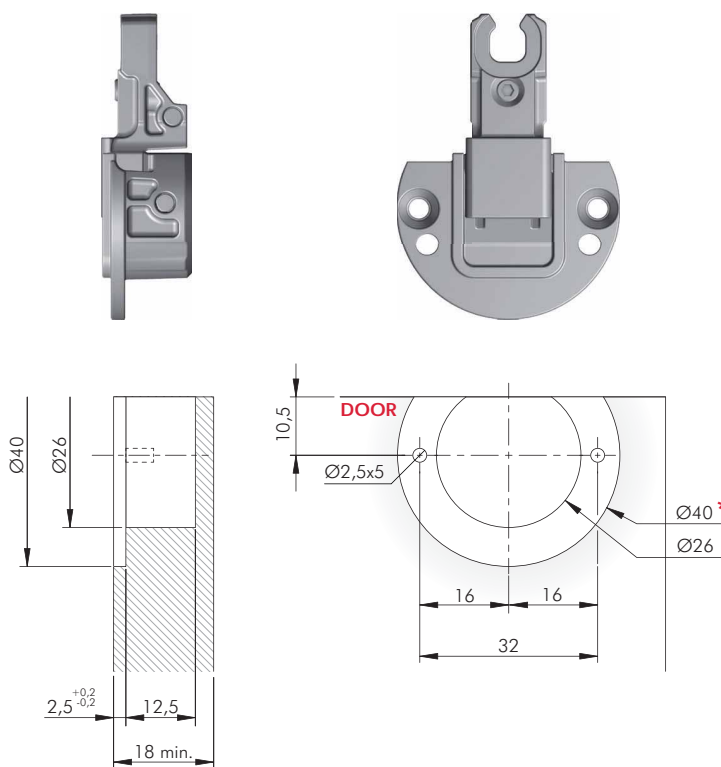




ZA	ST	= 200 pcs.
40130000YA		
40130000YQ		



\* Ø40 not necessary under certain conditions, for further information refer to section "SPECIAL DRILLING PLANS" on page 11.18.



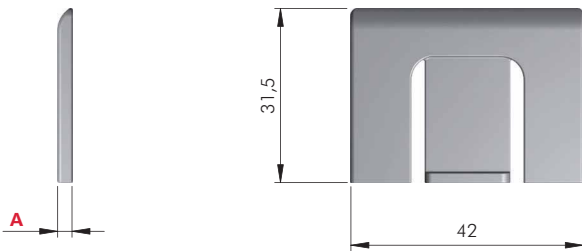
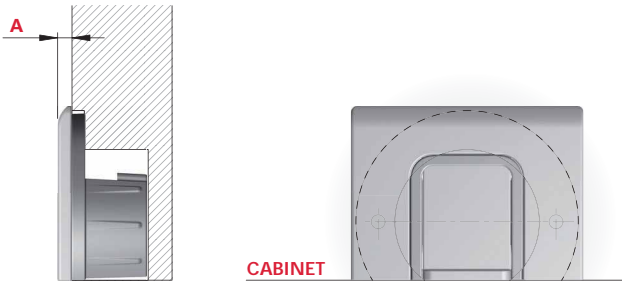
ZA	ST	= 200 pcs.
40130010YA		
40130010YQ		



\* Ø40 not necessary under certain conditions, for further information refer to section "DRILLING PLANS" on page 11.18.



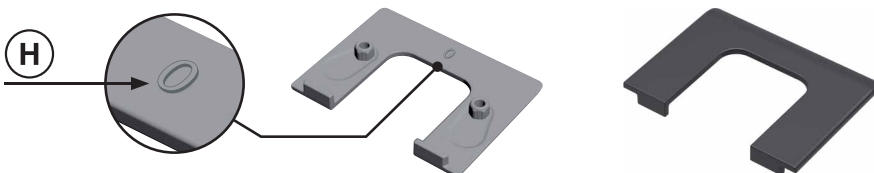
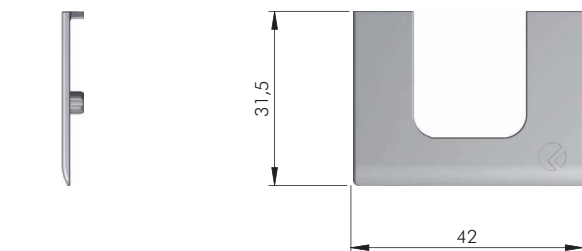
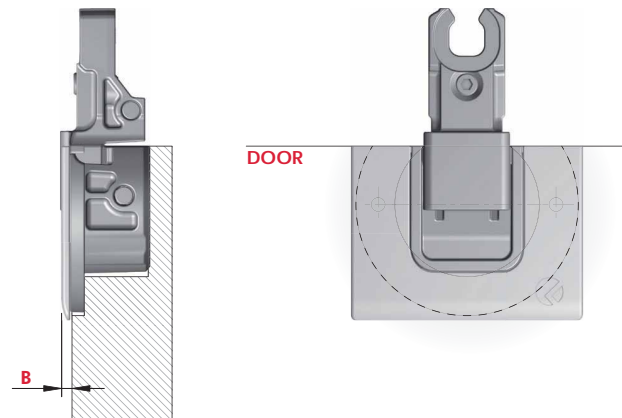
**CABINET SIDE COVER**



EP		= 200 pcs.		
			<b>H</b>	<b>A</b>
40130400EE	EW	0	2,5	
40130420EE	EW	1	3,5	
40130440EE	EW	2	4,5	
40130460EE	EW	4	6,5	
40130480EE	EW	6	8,5	

ZA		= 200 pcs.		
			<b>H</b>	<b>A</b>
40150400YA	YQ	0	2,5	

**DOOR SIDE COVER**

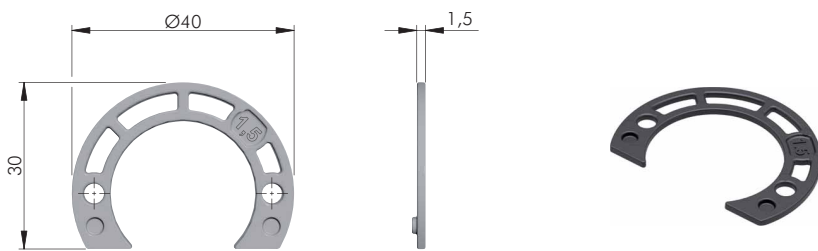


EP		= 200 pcs.		
			<b>H</b>	<b>B</b>
40130200EE	EW	0	1,5	
40130240EE	EW	2	4	

ZA		= 200 pcs.		
			<b>H</b>	<b>B</b>
40150200YA	YQ	0	1,5	



## KIMANA SKIN ADAPTER



EP	= 200 pcs.
123	
<b>40130620EE</b>	

## FIXING ACCESSORIES



= Ø 2,5 mm	
= PZ2	
ST	= 10.000 pcs.
123	
<b>60101390ZN</b>	



= Ø 2,5 mm	
= PZ2	
ST	= 8.000 pcs.
123	
<b>60101400ZN</b>	

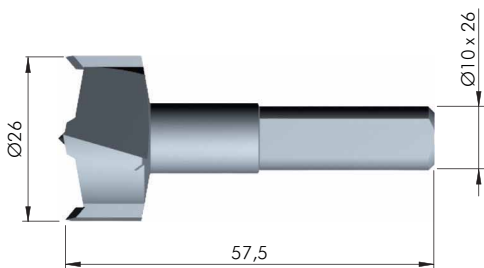
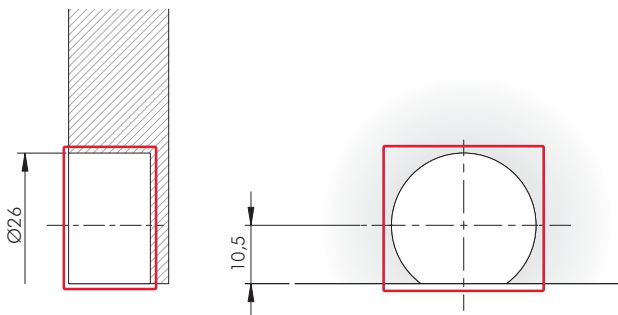
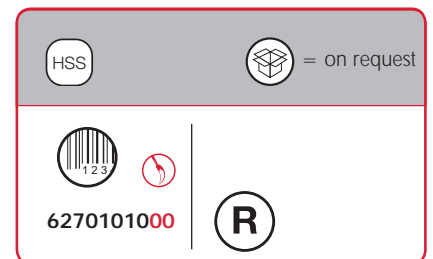
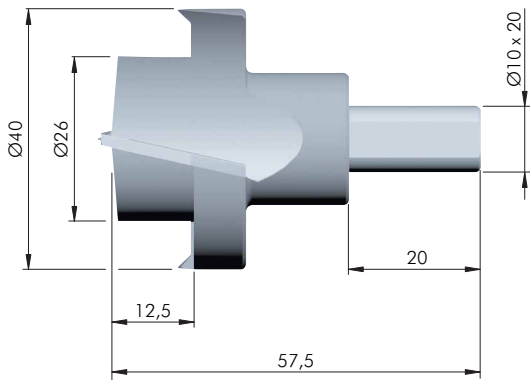
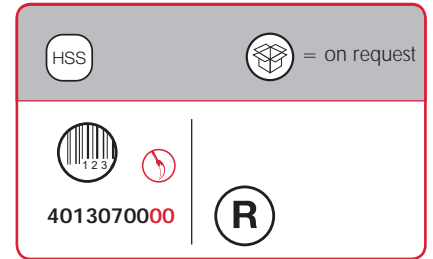
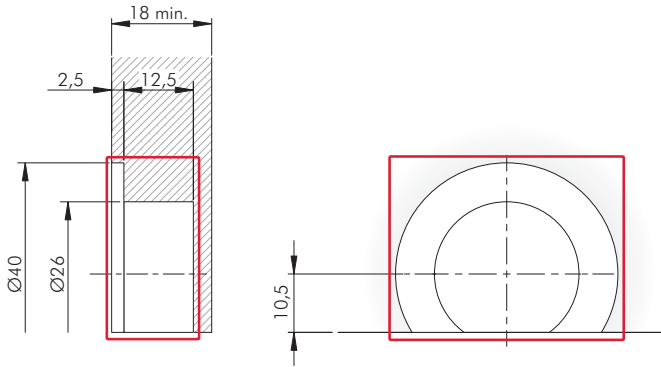


= S2	
ST	= 2500 pcs.
123	
<b>62501090ZN</b>	



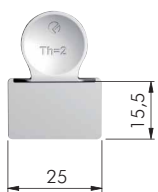
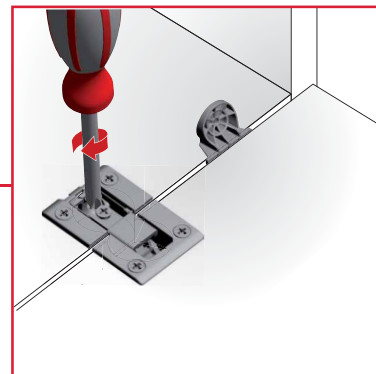
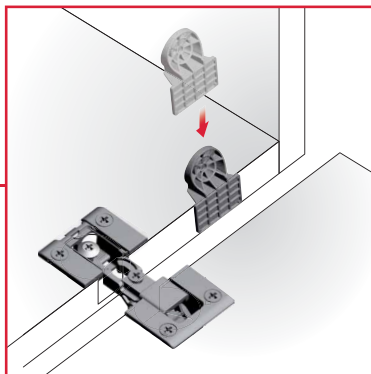
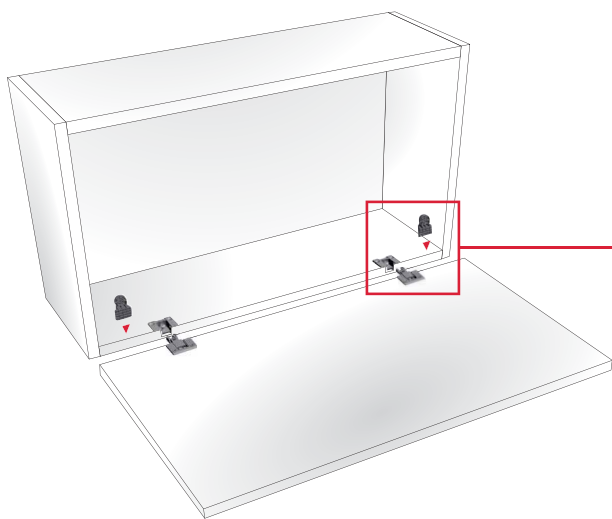


**DRILL BIT FOR KIMANA SKIN**





## DOOR ALIGNMENT SPACER FOR KIMANA HINGES



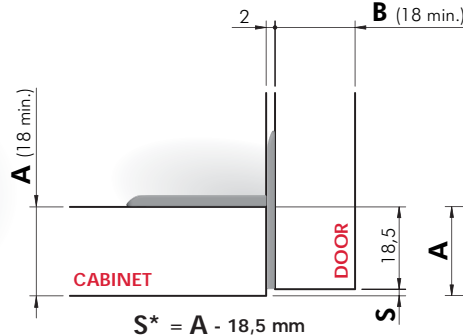
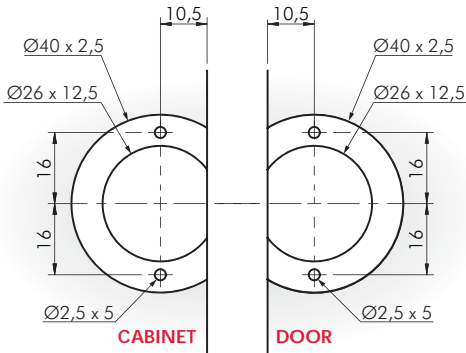
EP	= on request
<b>401156351A</b>	

2 pcs featured in each polybag.

\* For non-standard drilling plans 1,5, 2,5, 3 and 4 mm spacers are also available.

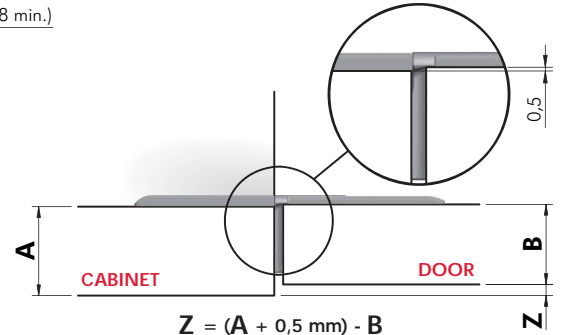


DRILLING PLANS TO MANAGE OVERLAY AND GAP BETWEEN DOOR AND CABINET



$$S^* = A - 18,5 \text{ mm}$$

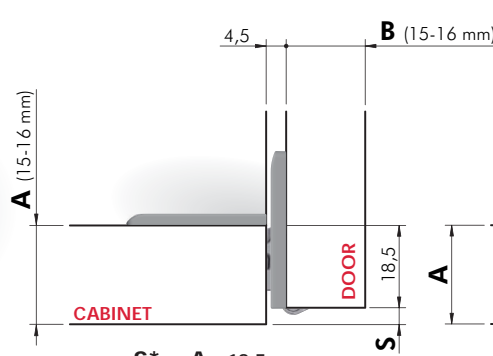
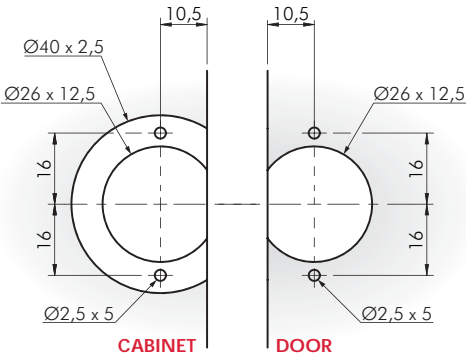
NOTE: if **S** is negative the line of the door goes beyond that of the bottom panel.



$$Z = (A + 0,5 \text{ mm}) - B$$

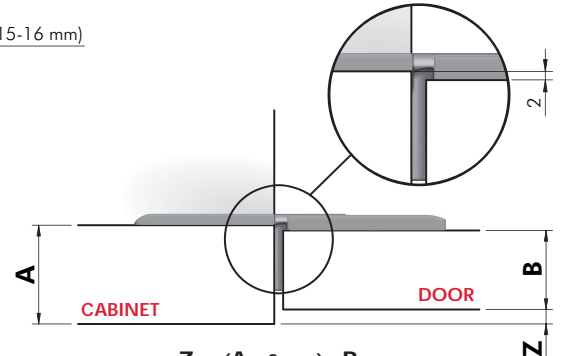
NOTE: if **Z** is negative the line of the door goes beyond that of the bottom panel.

\* Use the adapter to increase this dimension.



$$S^* = A - 18,5 \text{ mm}$$

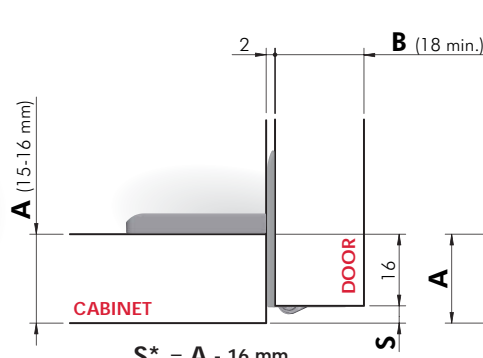
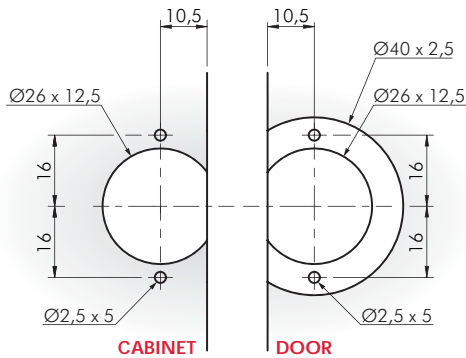
NOTE: if **S** is negative the line of the door goes beyond that of the bottom panel.



$$Z = (A - 2 \text{ mm}) - B$$

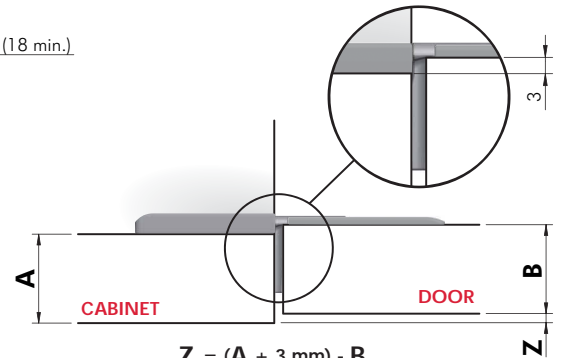
NOTE: if **Z** is negative the line of the door goes beyond that of the bottom panel.

\* Use the adapter to increase this dimension.



$$S^* = A - 16 \text{ mm}$$

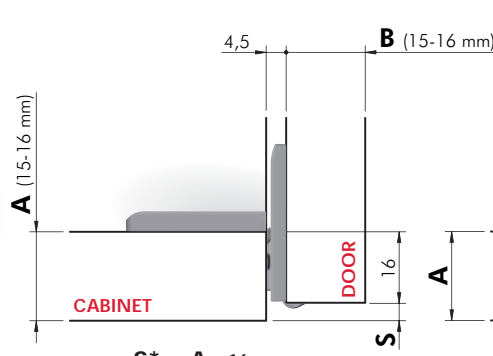
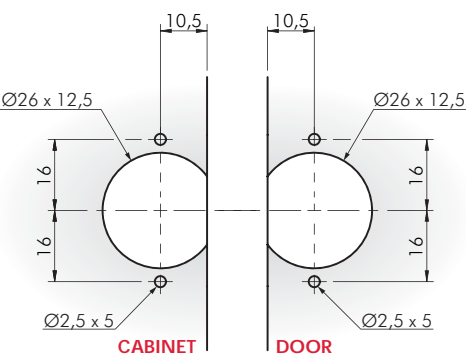
NOTE: if **S** is negative the line of the door goes beyond that of the bottom panel.



$$Z = (A + 3 \text{ mm}) - B$$

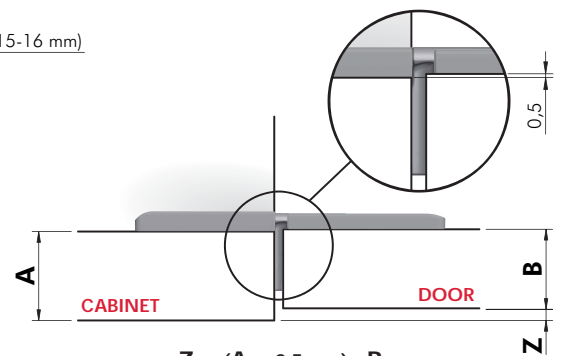
NOTE: if **Z** is negative the line of the door goes beyond that of the bottom panel.

\* Use the adapter to increase this dimension.



$$S^* = A - 16 \text{ mm}$$

NOTE: if **S** is negative the line of the door goes beyond that of the bottom panel.



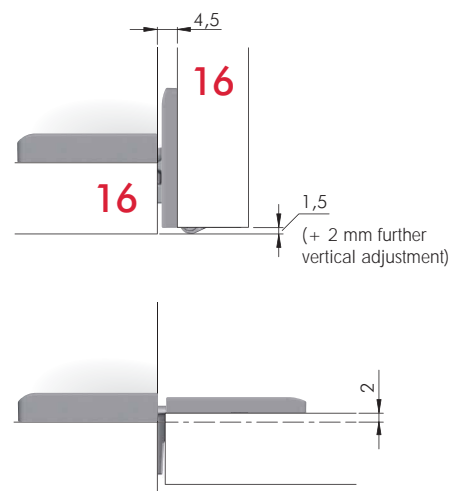
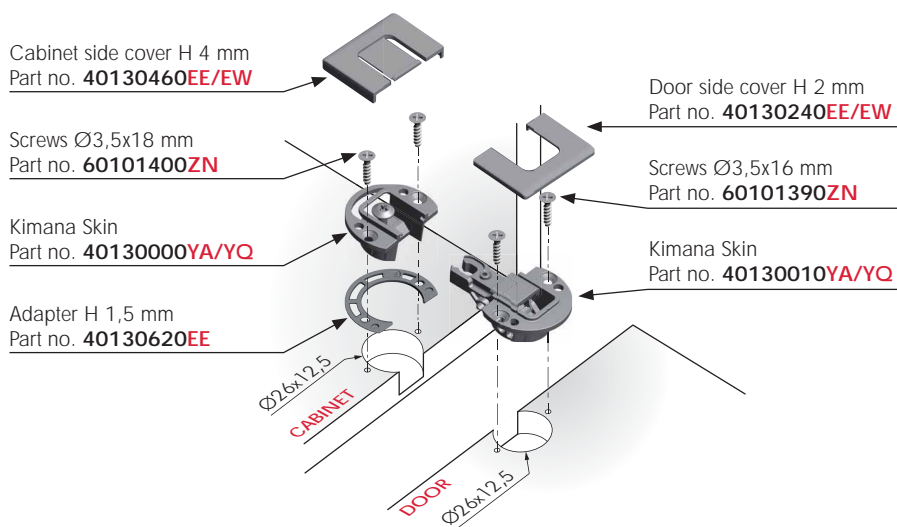
$$Z = (A + 0,5 \text{ mm}) - B$$

NOTE: if **Z** is negative the line of the door goes beyond that of the bottom panel.

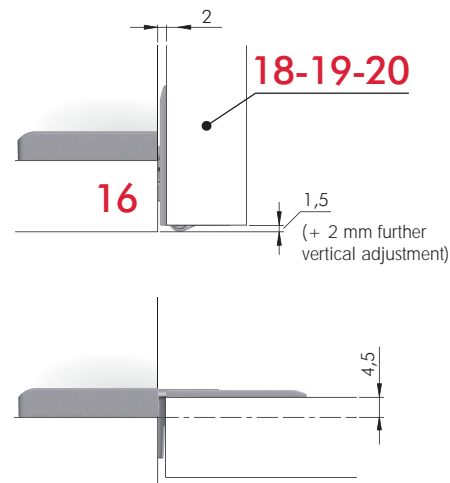
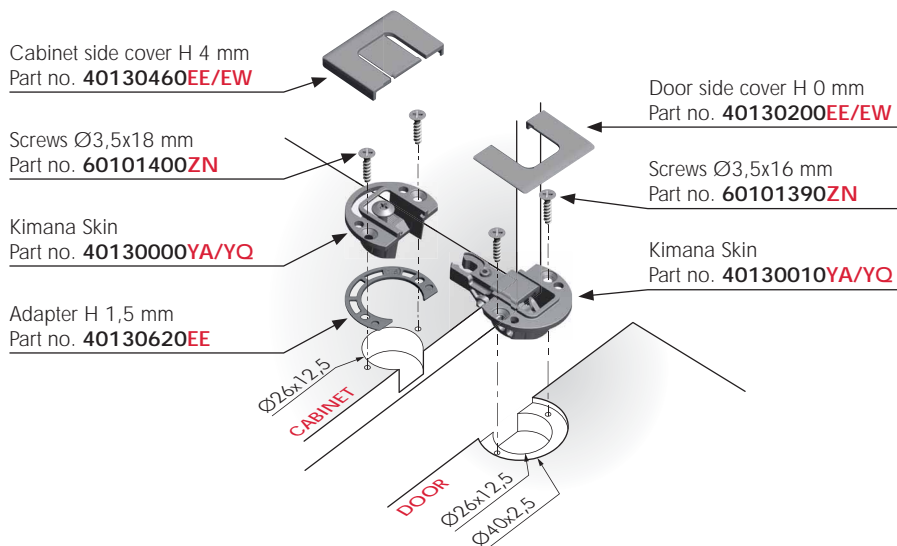
\* Use the adapter to increase this dimension.



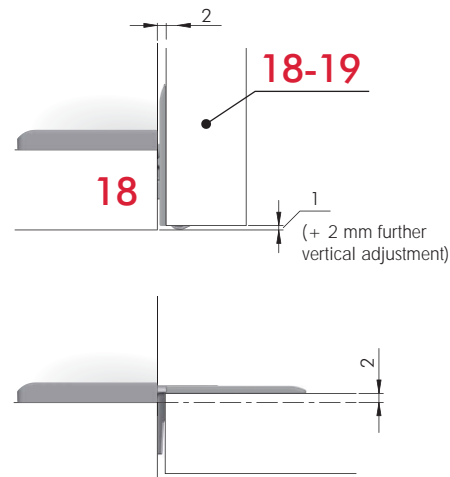
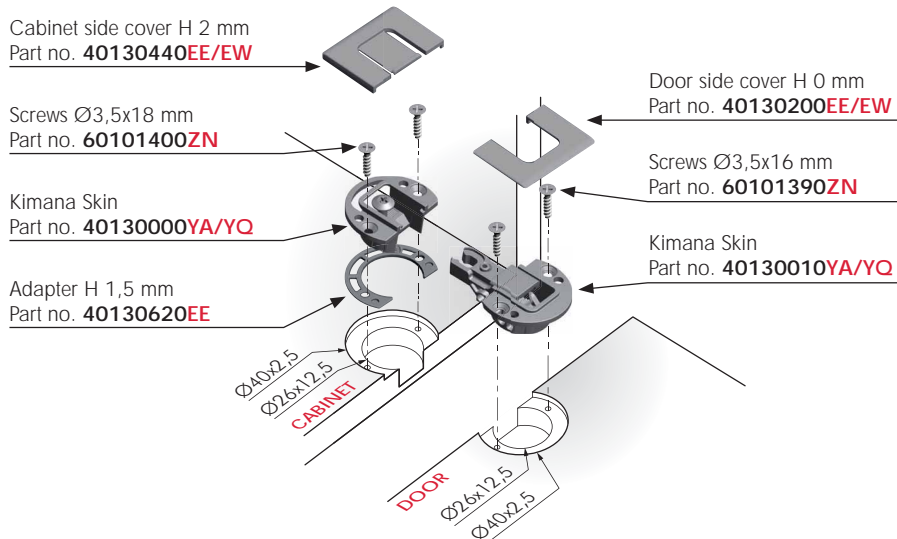
## CABINET 16 mm THICK - DOOR 16 mm THICK



## CABINET 16 mm THICK - DOOR 18-19-20 mm THICK

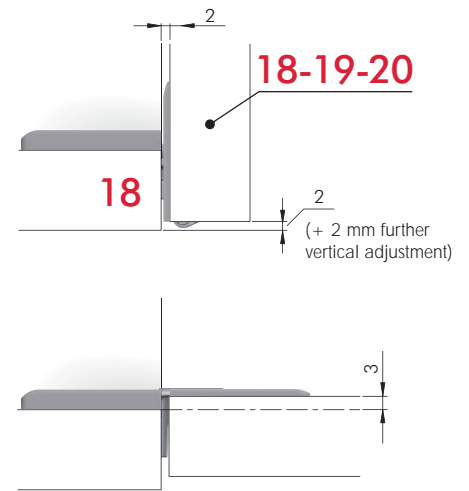
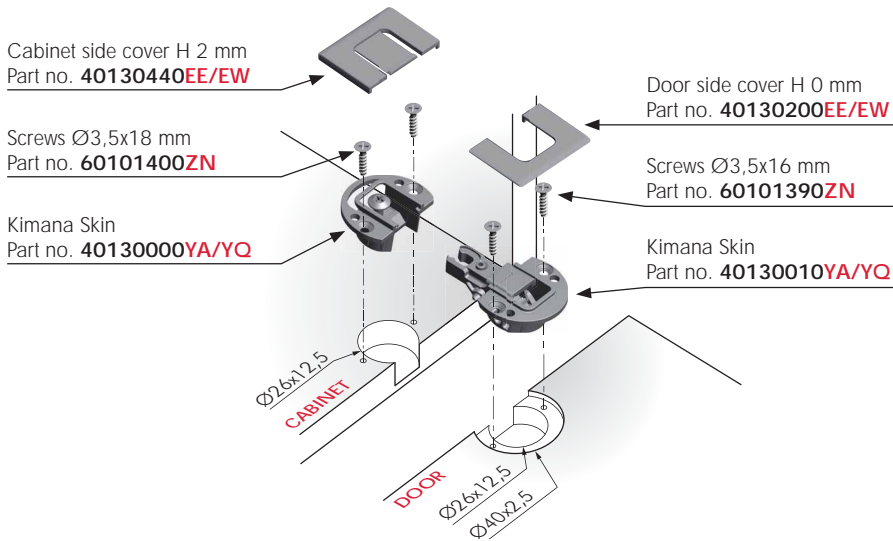


## CABINET 18 mm THICK - DOOR 18-19 mm THICK

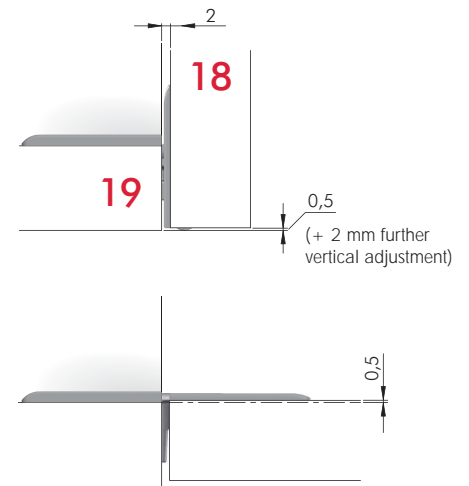
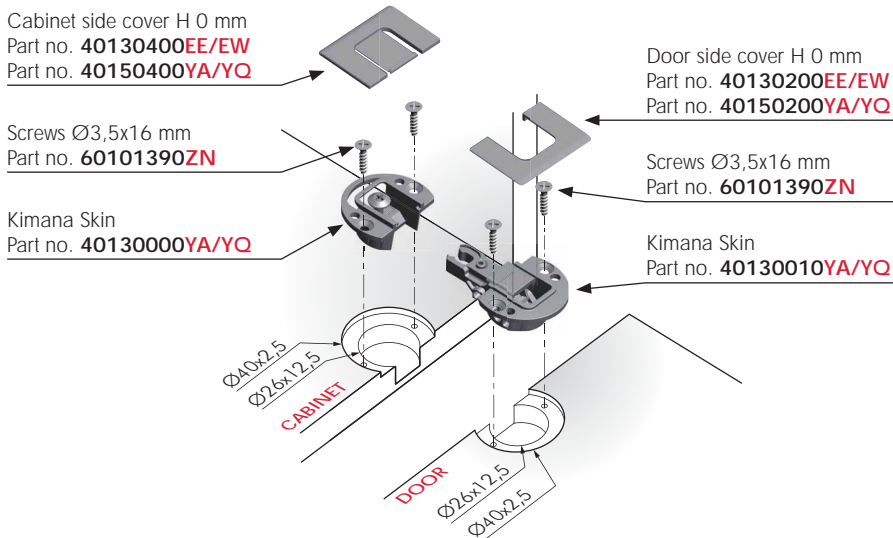




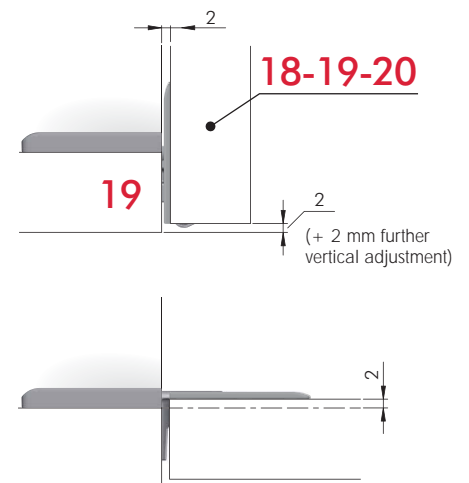
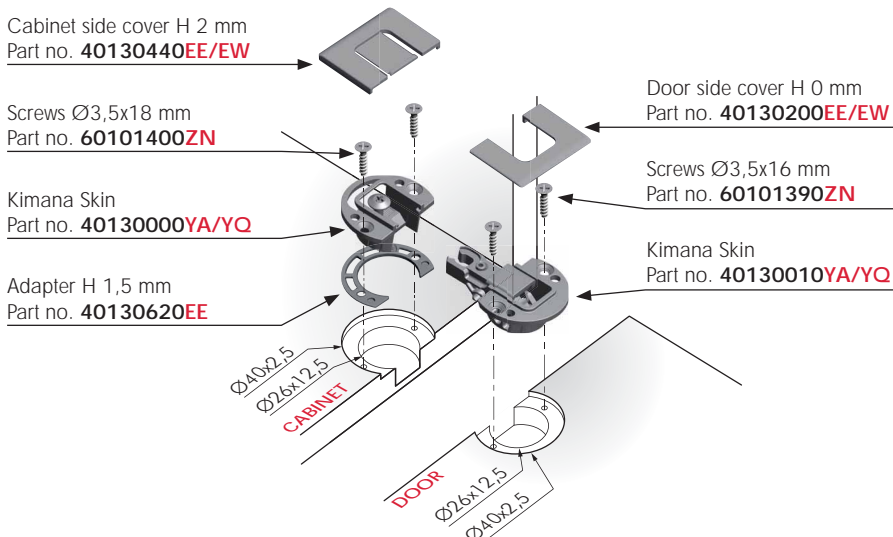
## CABINET 18 mm THICK - DOOR 18-19-20 mm THICK



## CABINET 19 mm THICK - DOOR 18 mm THICK



## CABINET 19 mm THICK - DOOR 18-19-20 mm THICK





## CABINET 20 mm THICK - DOOR 18-19-20 mm THICK

Cabinet side cover H 0 mm  
Part no. **40130400EE/EW**  
Part no. **40150400YA/YQ**

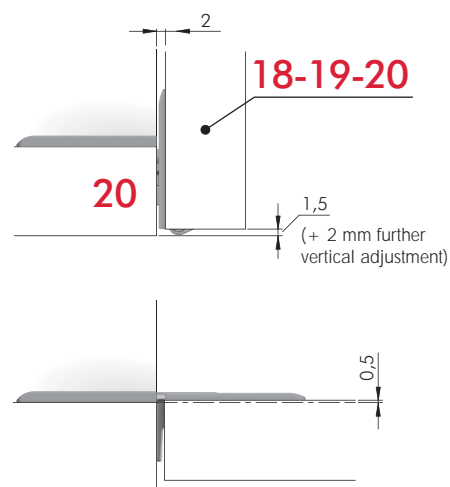
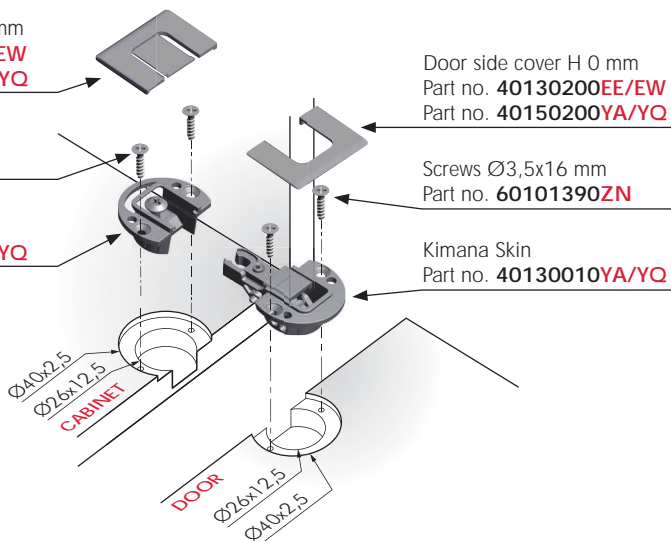
Screws  $\varnothing 3,5 \times 18$  mm  
Part no. **60101400ZN**

Kimana Skin  
Part no. **40130000YA/YQ**

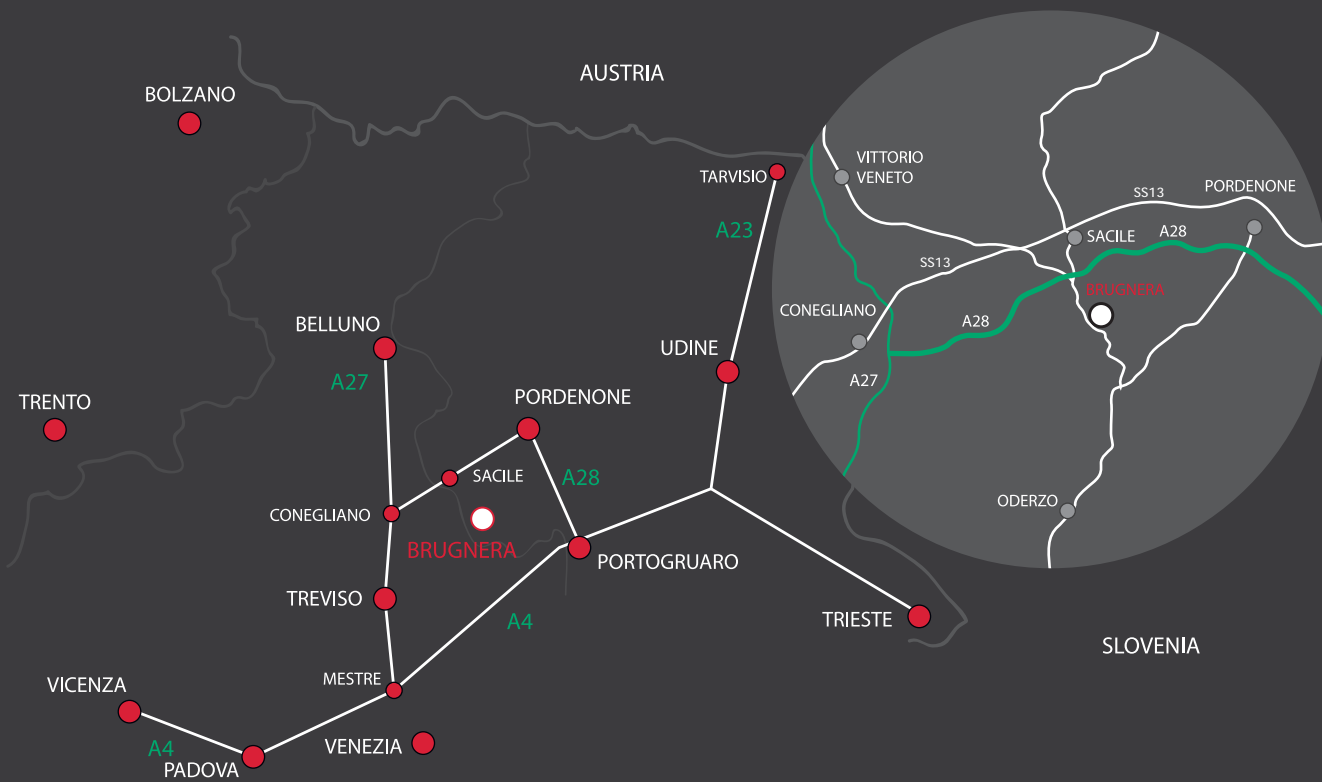
Door side cover H 0 mm  
Part no. **40130200EE/EW**  
Part no. **40150200YA/YQ**

Screws  $\varnothing 3,5 \times 16$  mm  
Part no. **60101390ZN**

Kimana Skin  
Part no. **40130010YA/YQ**







[www.italianaferramenta.it](http://www.italianaferramenta.it)