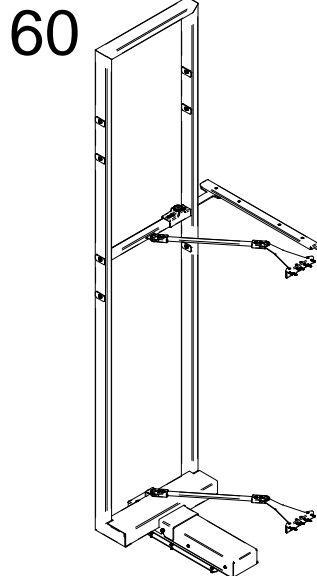
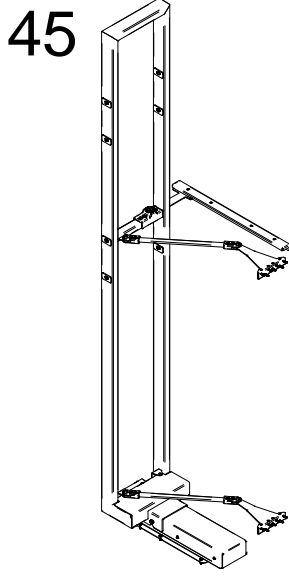


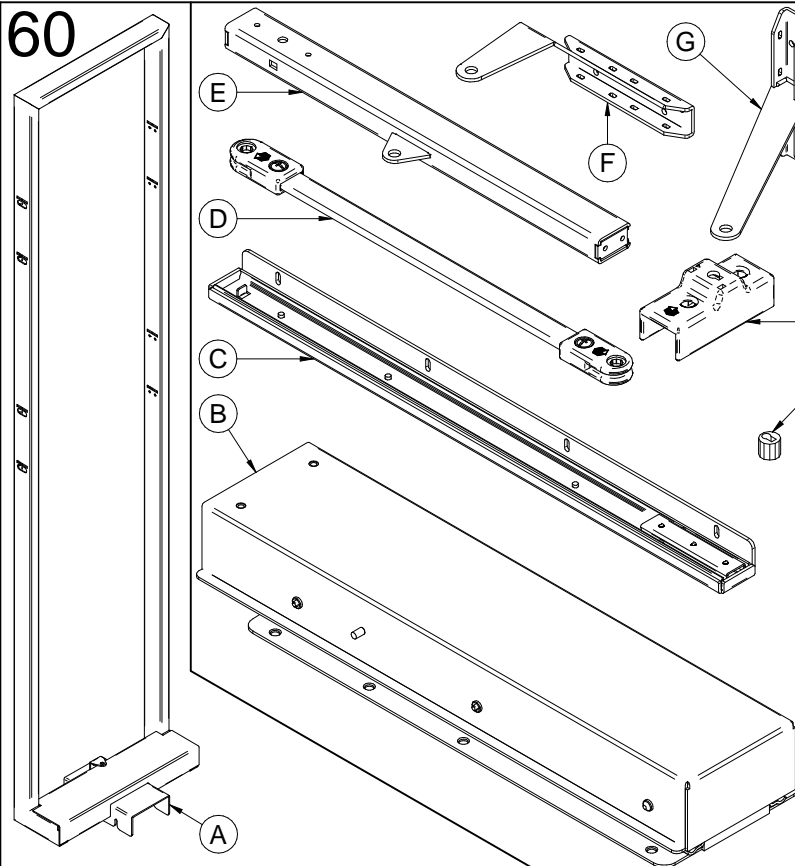
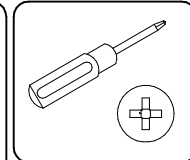
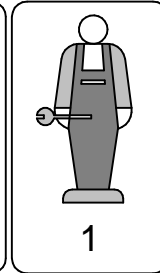
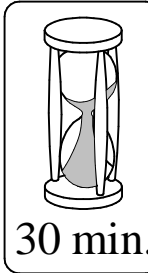
Istruzioni di montaggio
Assembling instructions
Notice de montage
Montageanleitung
Manual de montaje

Portata massima:
 Maximum load:
 Charge maxi:
 Maximale belastbarkeit:
 Carga maxima:

75 Kg



CEM45S/17..
CEM60S/17..



**PRIMA DI COMINCIARE,
 VEDERE I CONSIGLI DI
 MONTAGGIO**

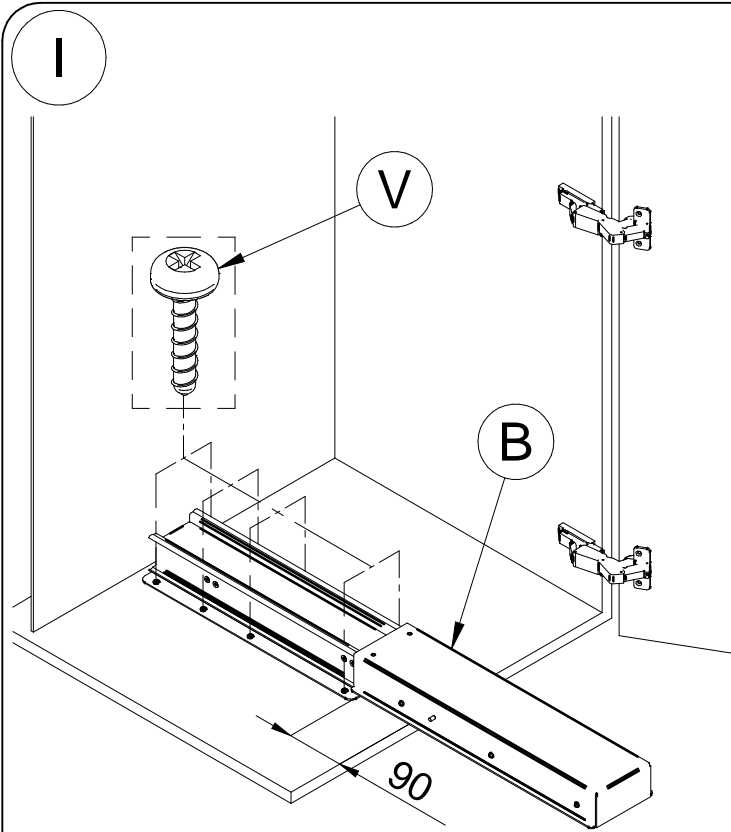
BEFORE STARTING, REFER
 TO THE ASSEMBLING
 ADVICE IN ANNEX

AVANT DE COMMENCER, SE
 REPORTER AUX CONSEILS
 DE MONTAGE EN ANNEXE

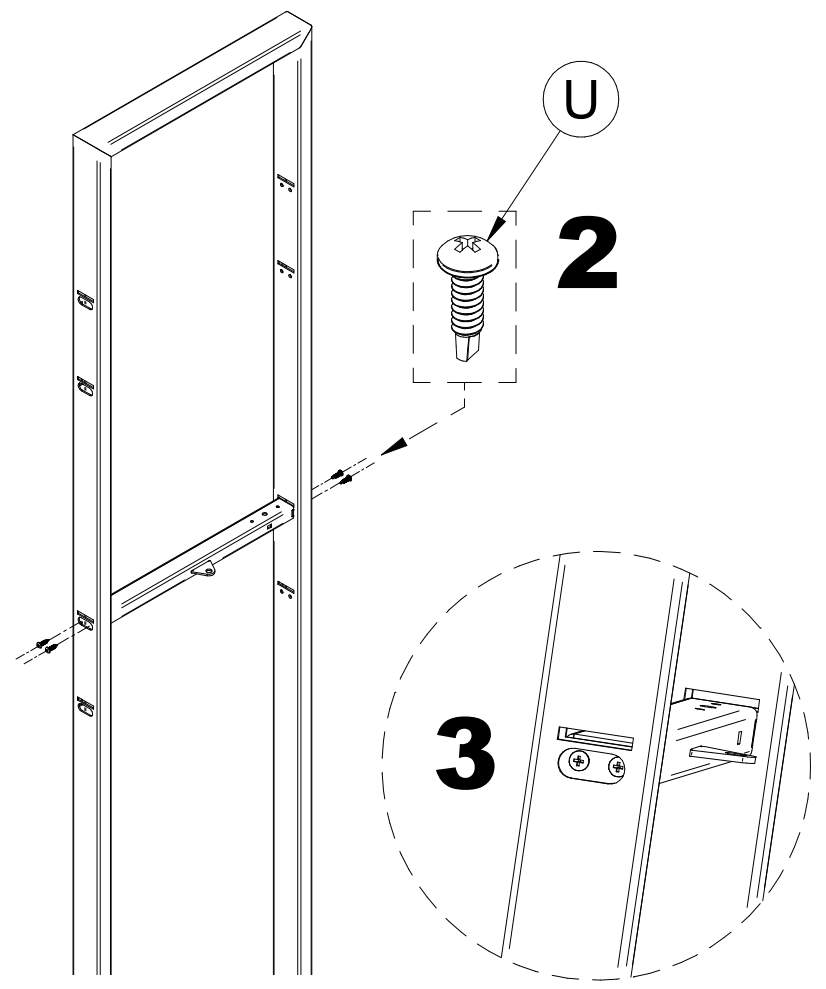
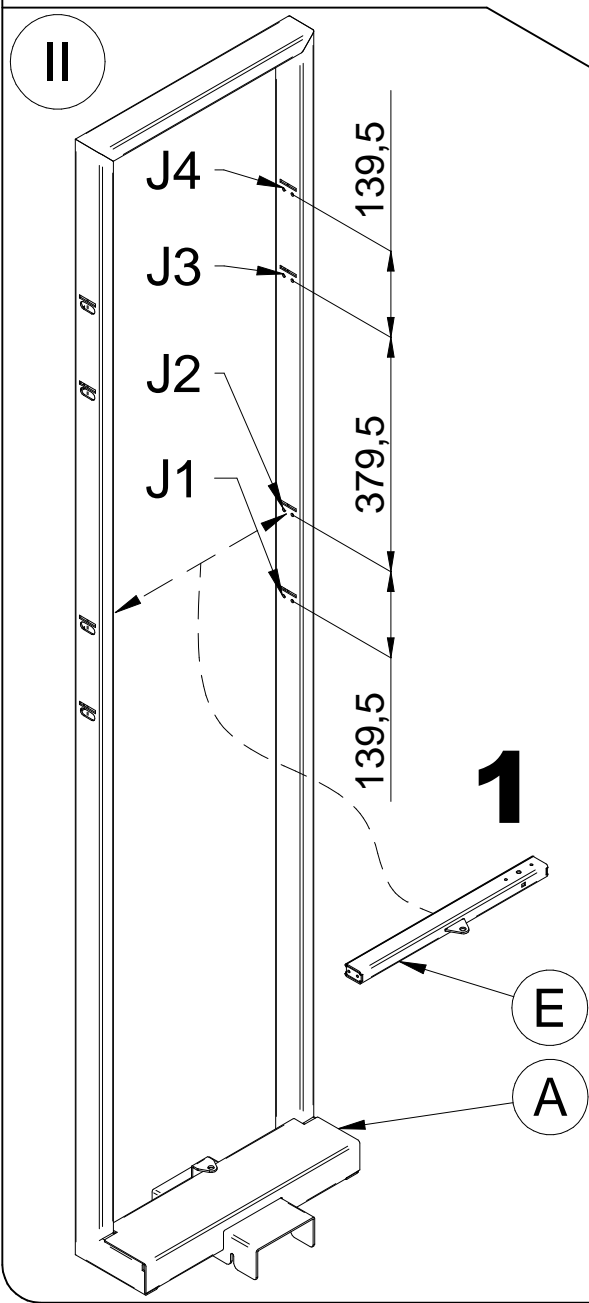
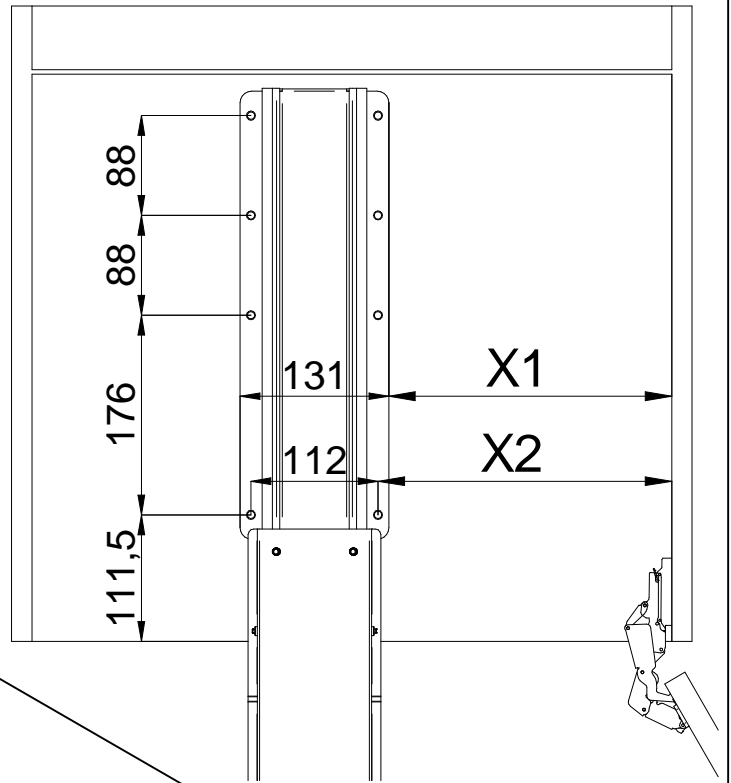
VOR DIE MONTAGE, BITTE
 BEILIEGENDE
 ANWEISUNGEN FOLGEN

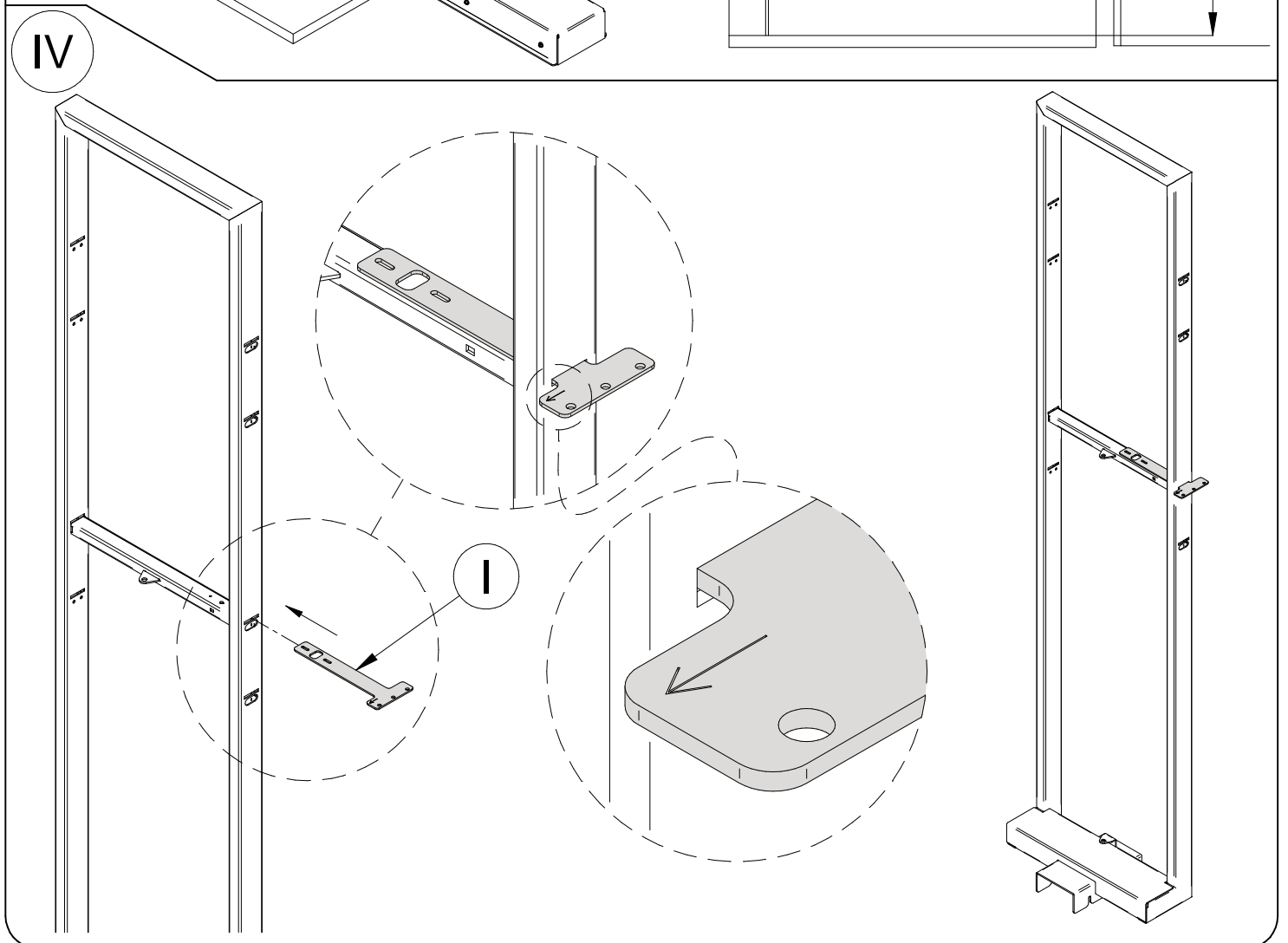
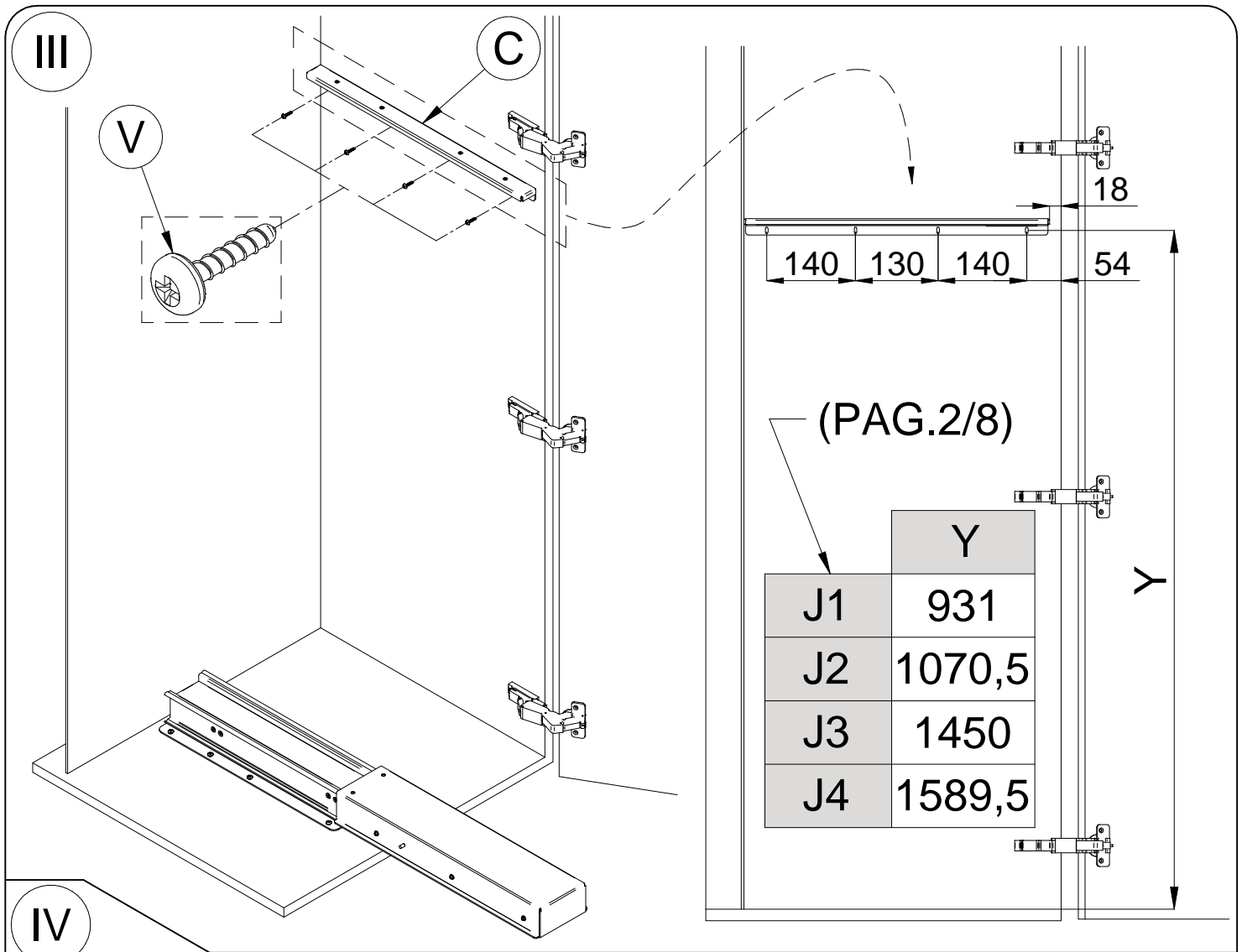
ANTES DE EMPEZAR
 CONSULTE LOS CONSEJOS
 PARA EL MONTAJE

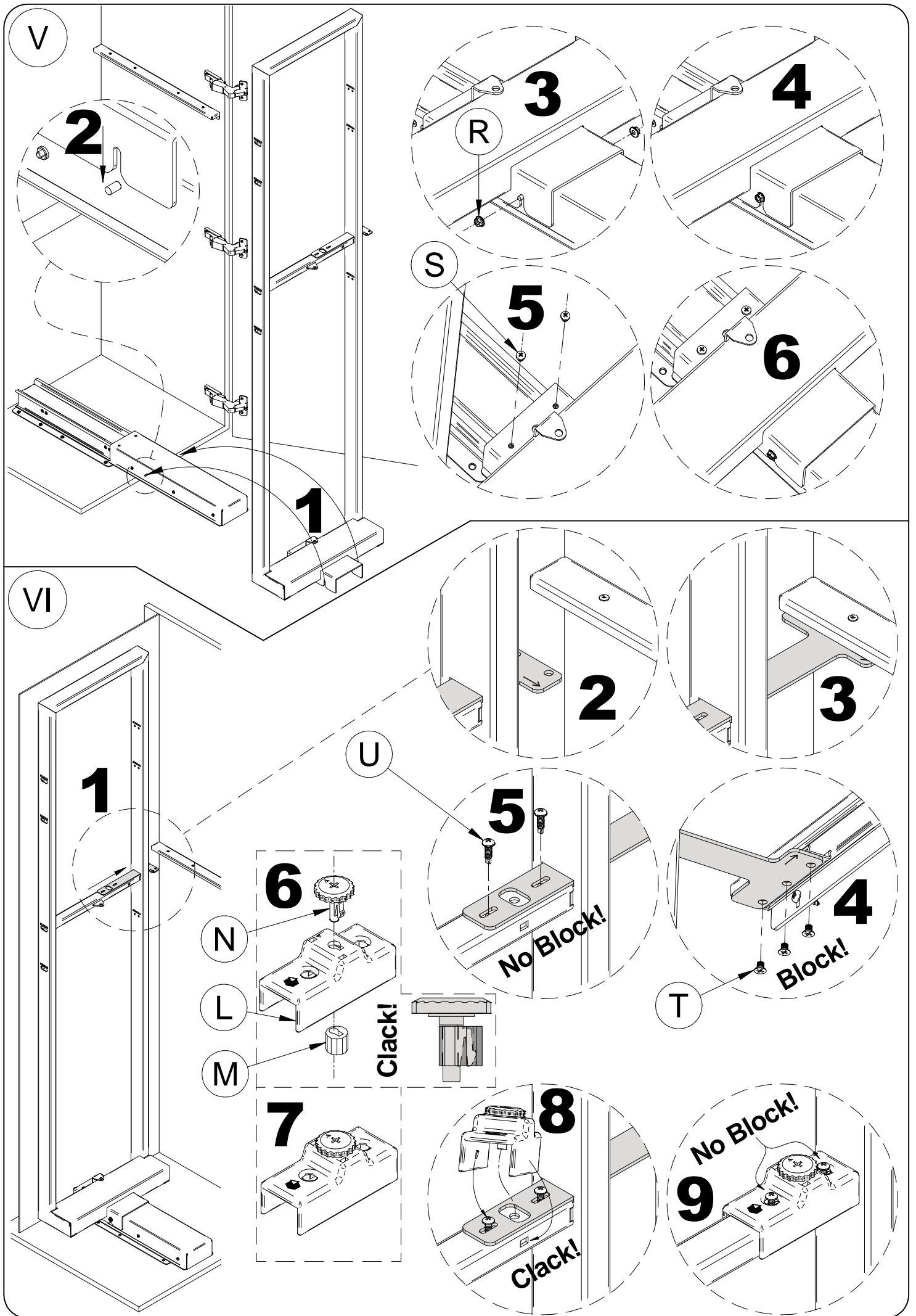
A x 1	B x 1	C x 1	D x 2	E x 1	F x 1	G x 1	H x 2	I x 1	L x 1
M x 1	N x 1	O x 4	Q x 4	R x 2	S x 2	T x 3	U x 6	V x 27	



Mod.	X1	X2
45	174,5	184
60	249,5	259



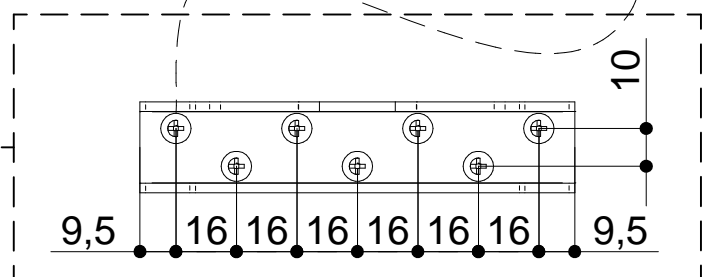
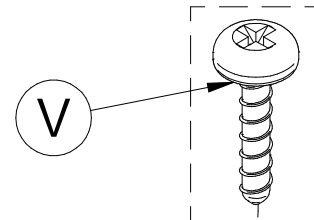
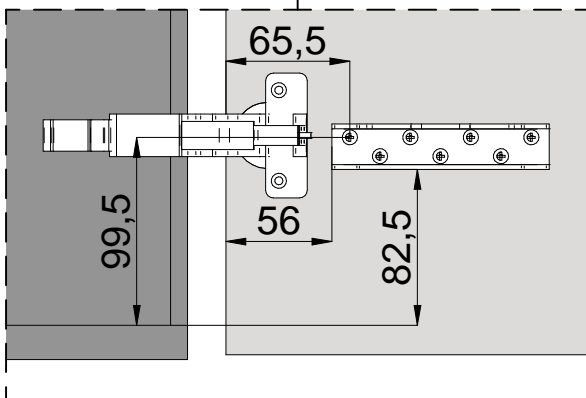
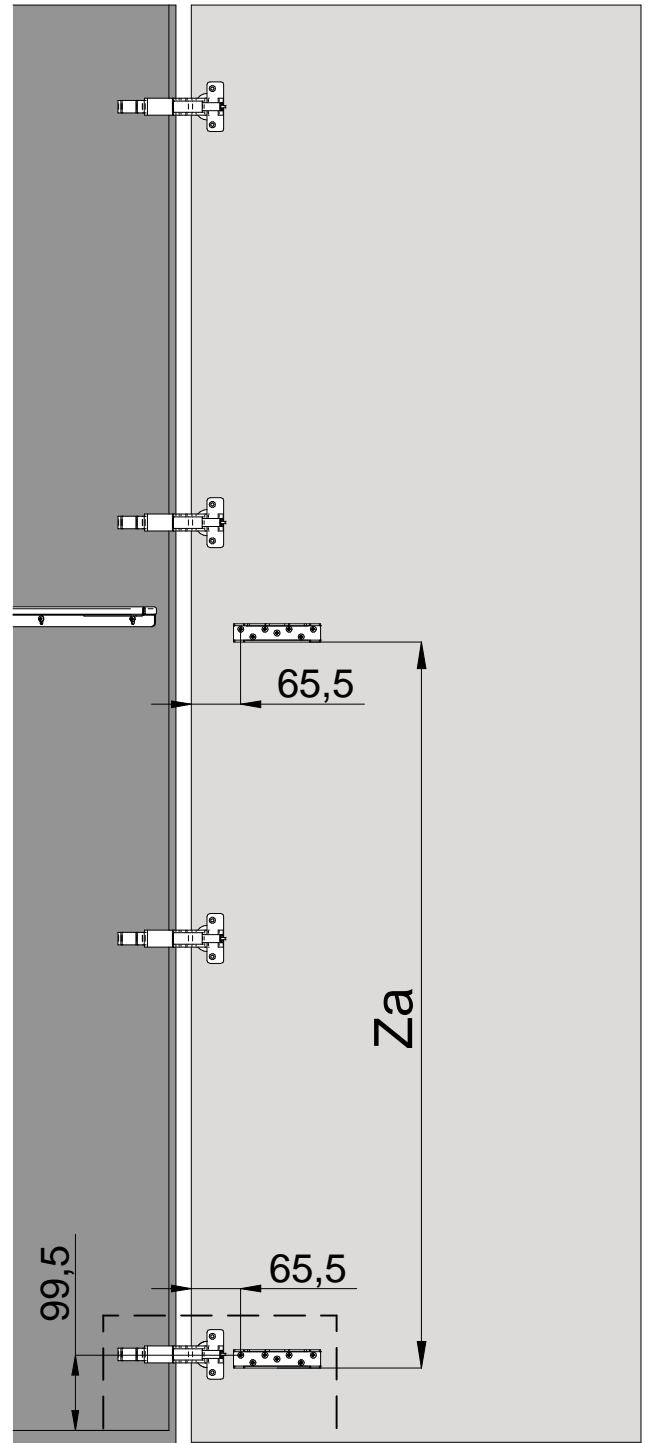
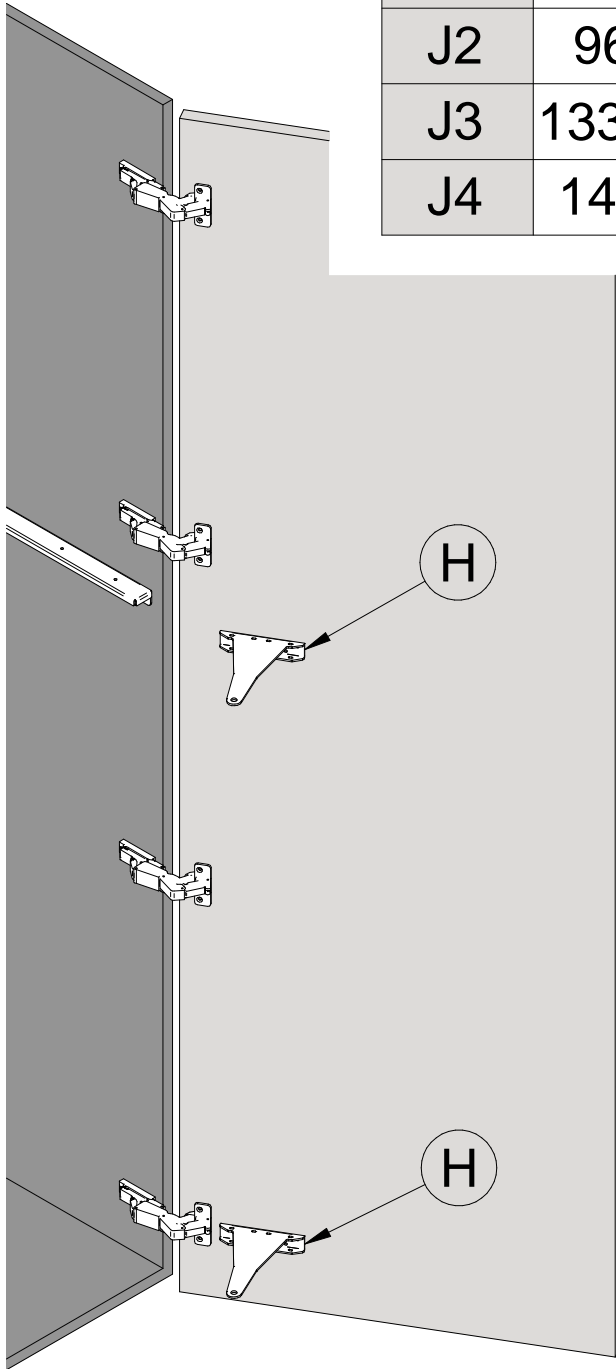




VII "a"

(PAG.2/8)

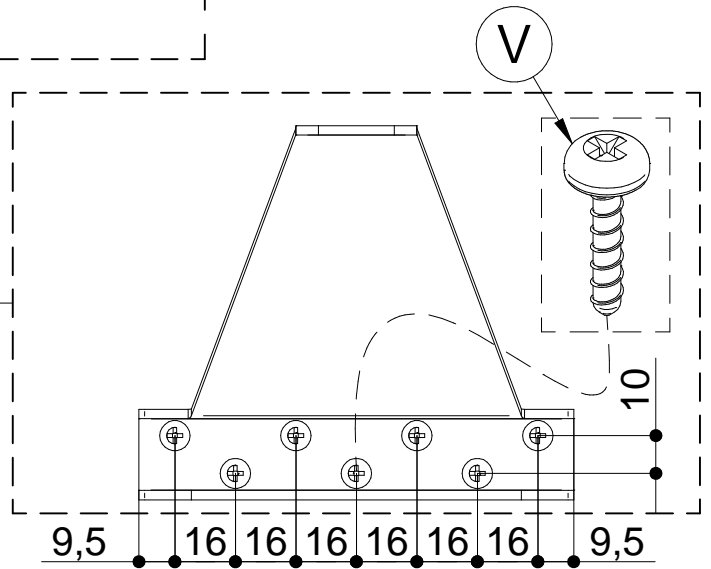
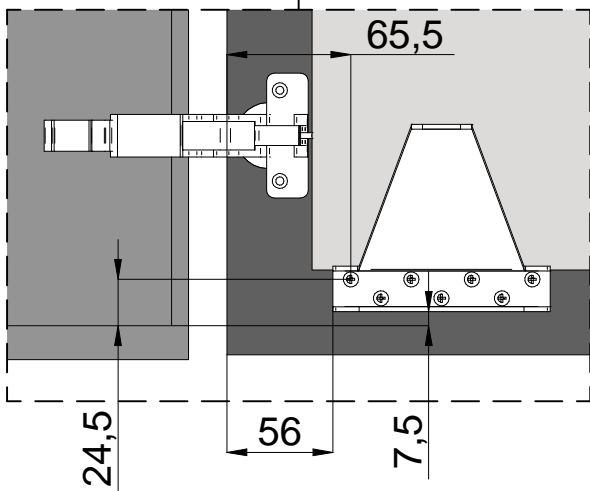
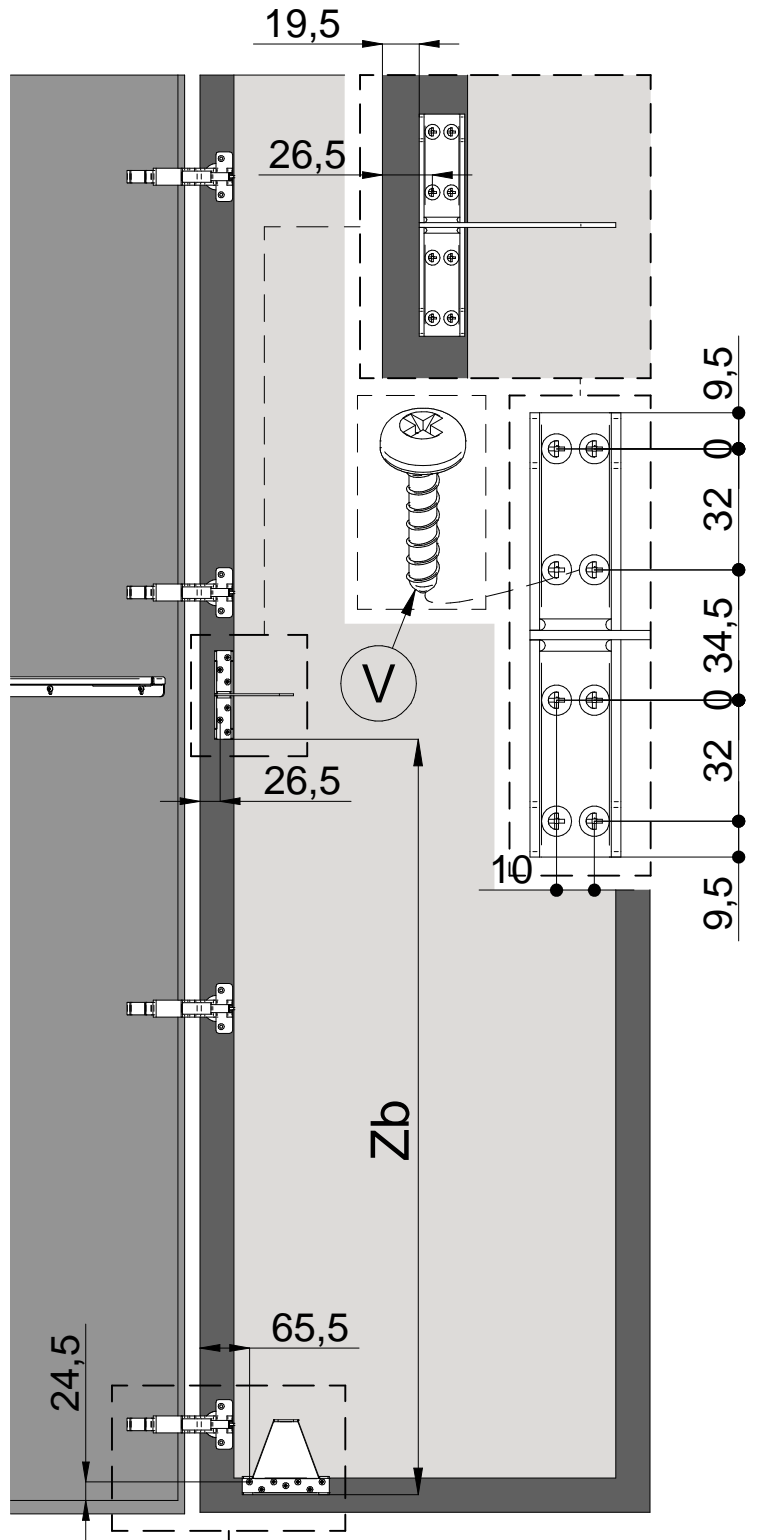
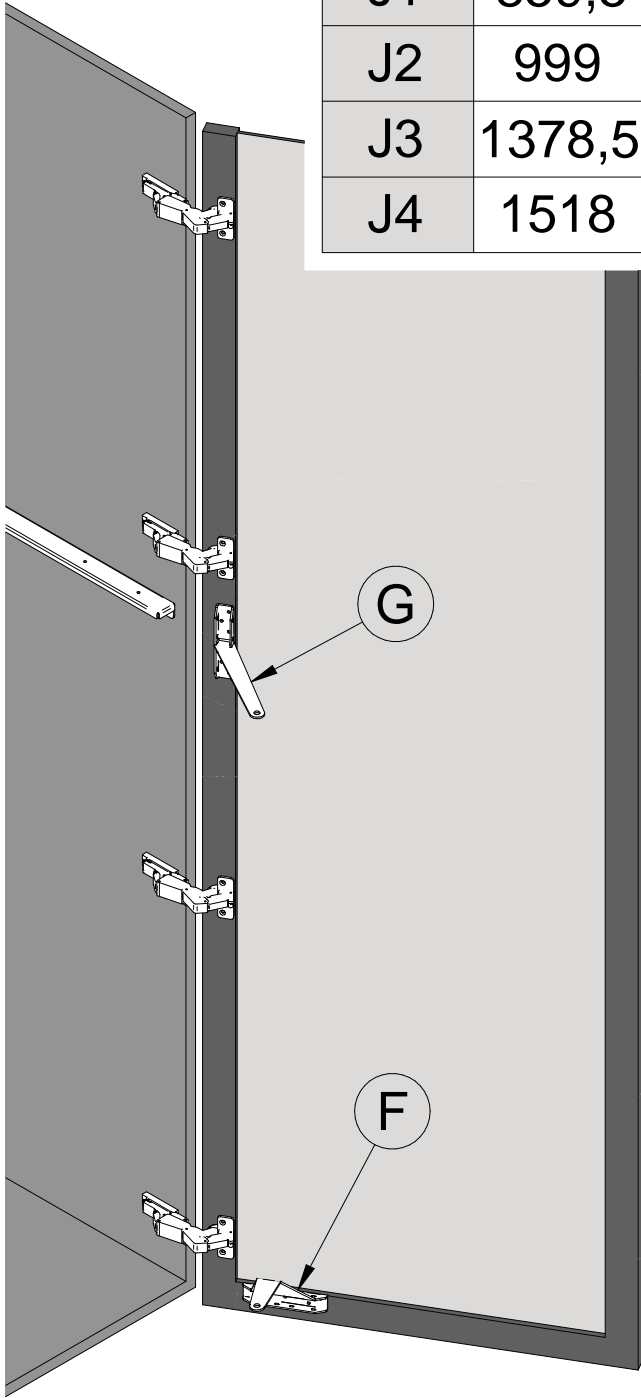
	Za
J1	820,5
J2	960
J3	1339,5
J4	1479



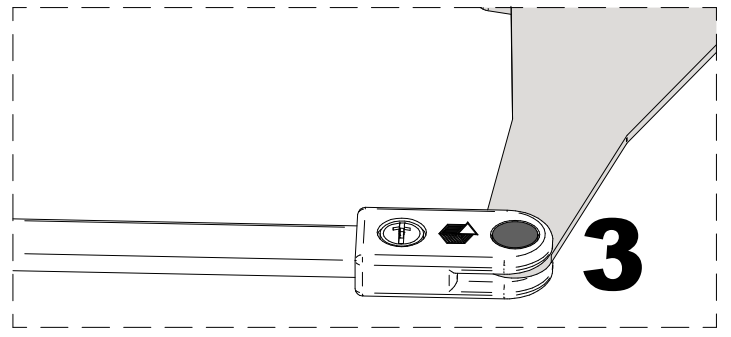
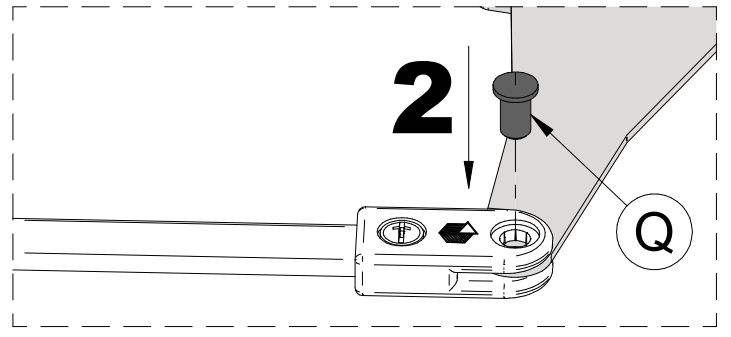
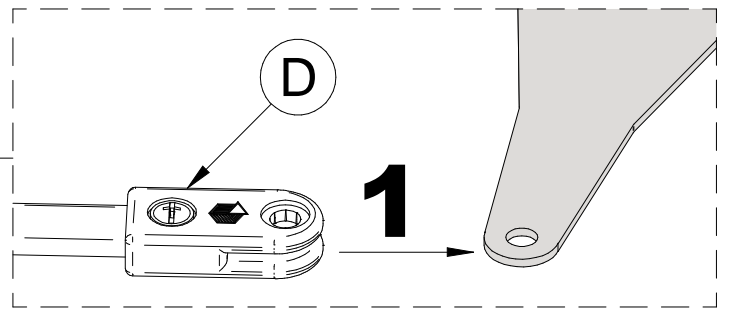
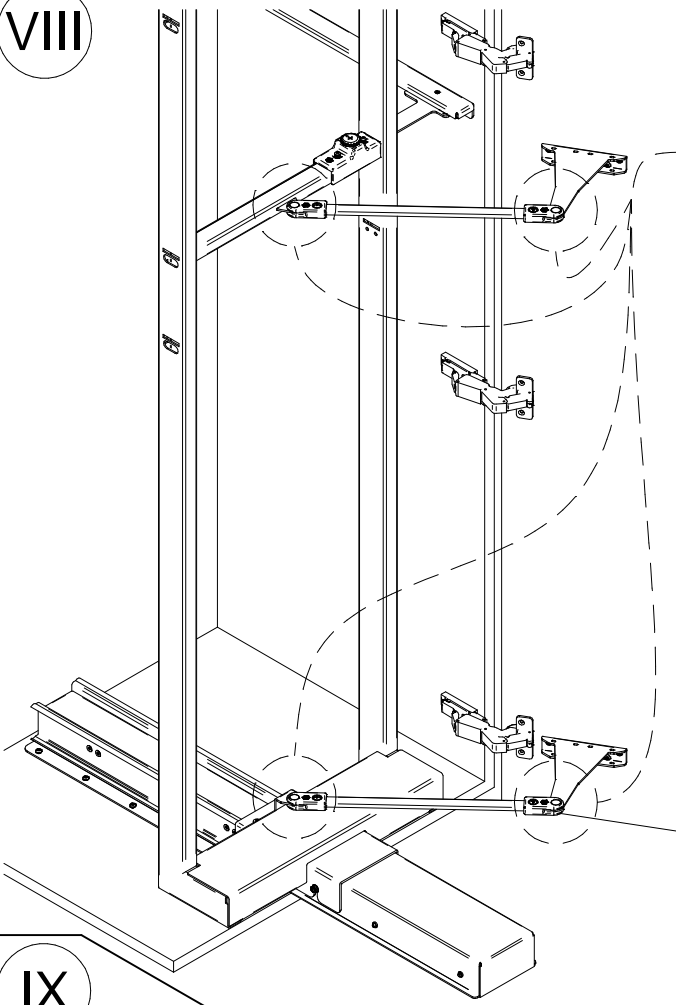
VII "b"

(PAG.2/8)

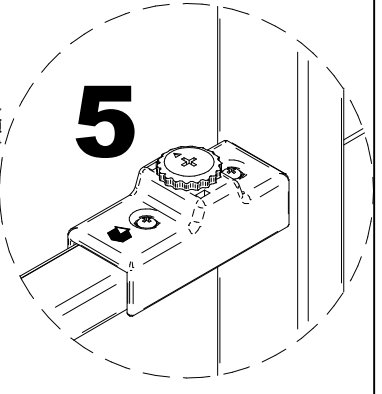
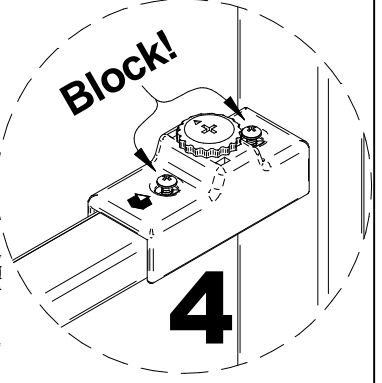
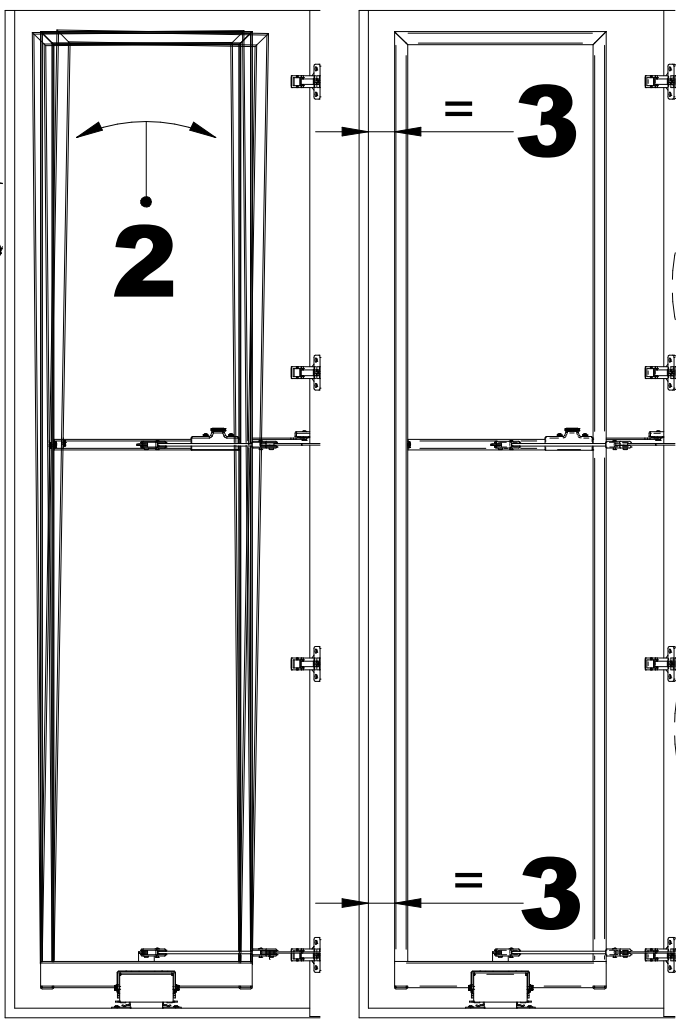
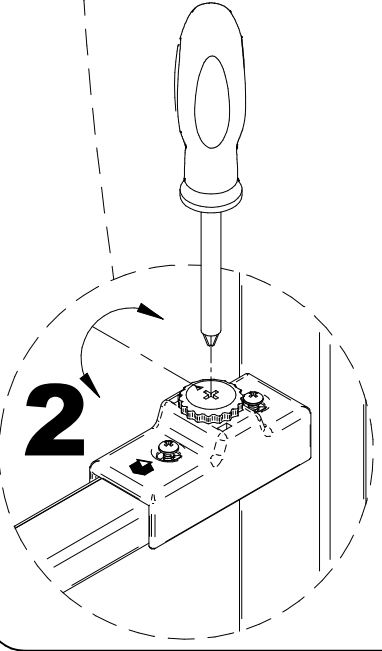
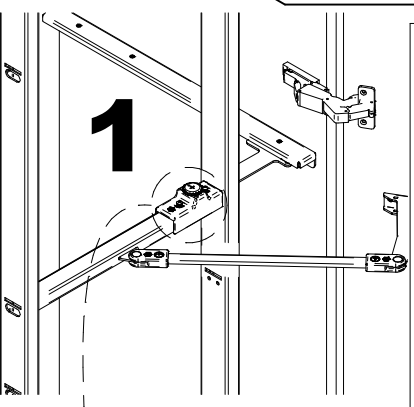
	Zb
J1	859,5
J2	999
J3	1378,5
J4	1518



VIII



IX



X

