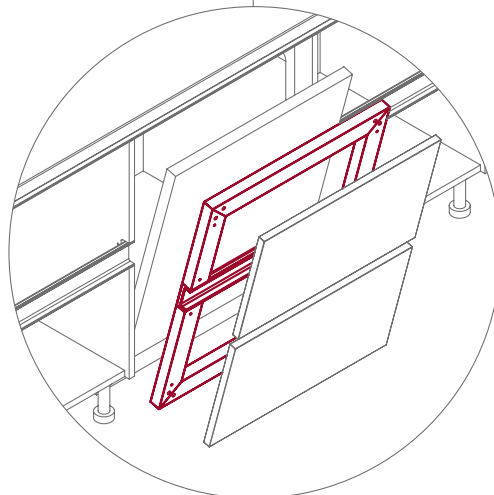


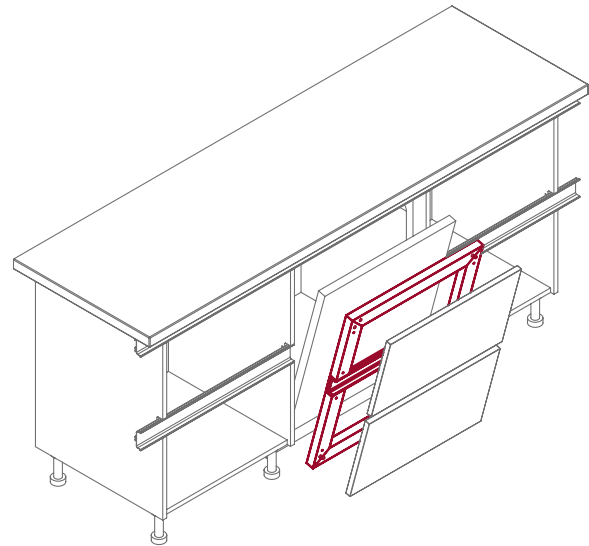
DISHWASHER FRAME

GESCHIRRRSPÜLMASCHINENRAHMEN

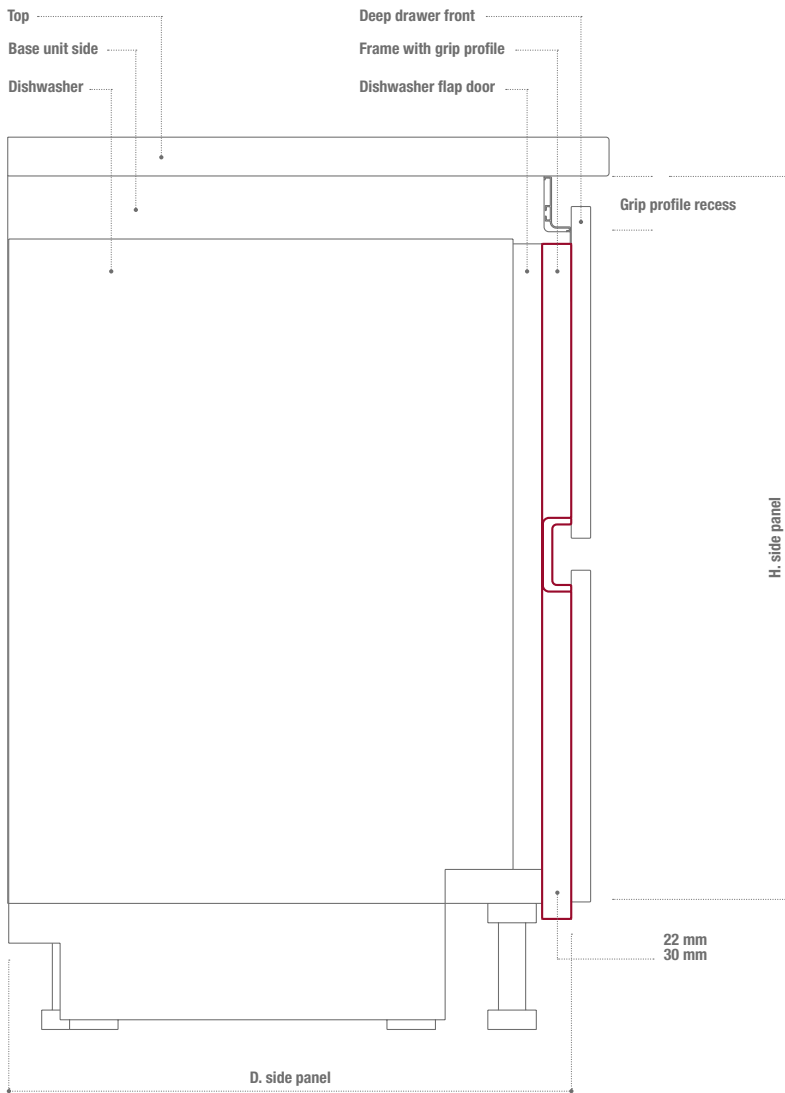
ART. T7415 30 mm
ART. T7417 22 mm



SPECIFICATIONS AND FEATURES



FLUIDDESIGNLAB.com



30 mm with groove for Gola 8007 and accessories
22 mm with special Gola included.

Subject to technical changes as part of product development, as well as errors and omissions.