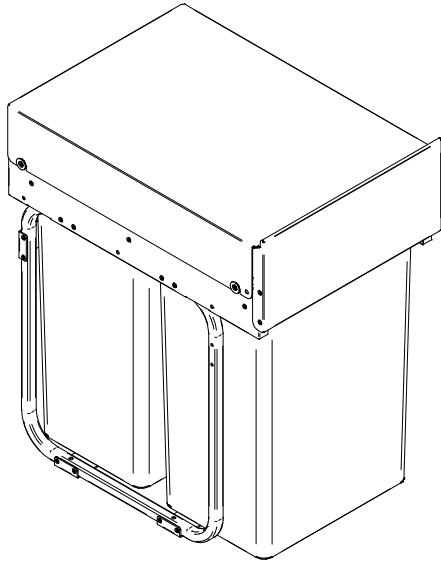


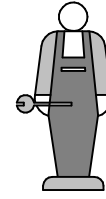
Istruzioni di montaggio
 Assembling instructions
 Notice de montage
 Montageanleitung
 Manual de montaje

Portata massima:
 Maximum load:
 Charge maxi:
 Maximale
 belastbarkeit:
 Carga maxima:

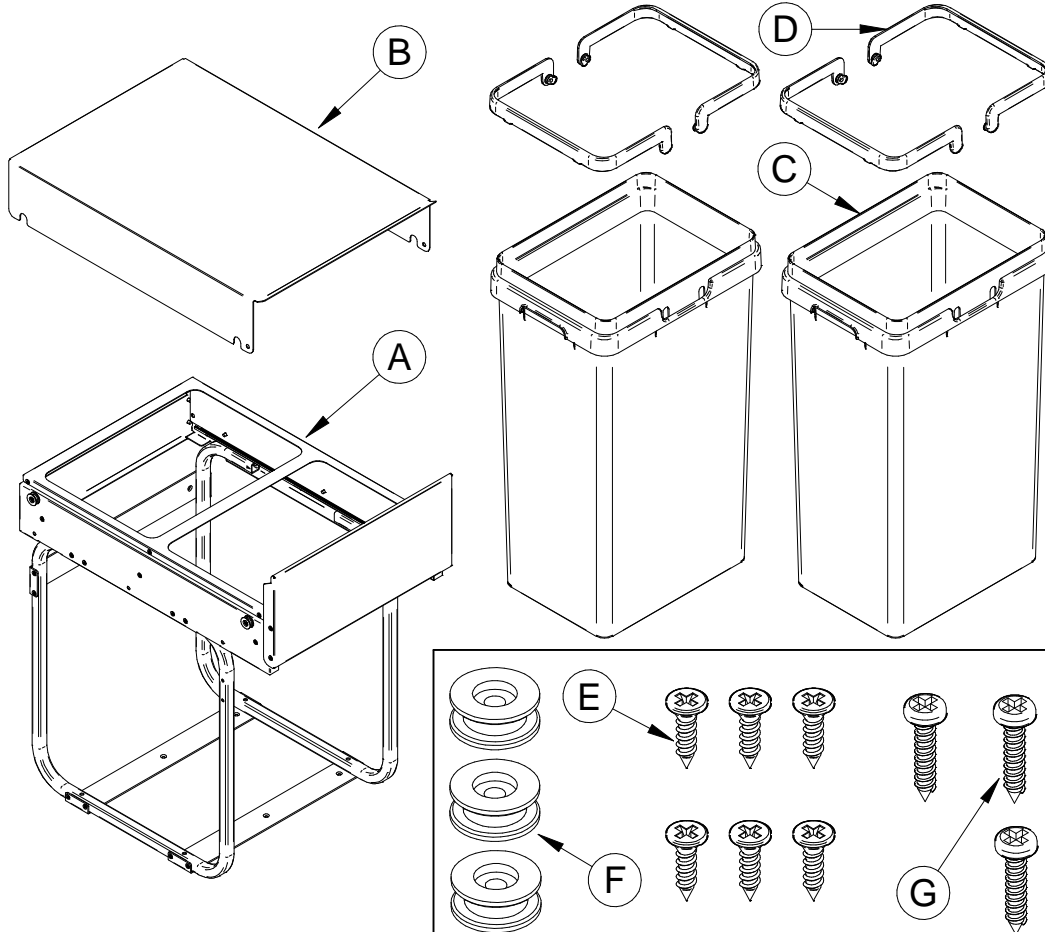
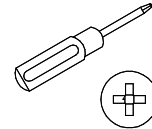
25 Kg



10 min



1



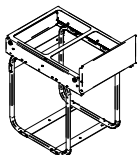
**PRIMA DI COMINCIARE,
 VEDERE I CONSIGLI DI
 MONTAGGIO**

BEFORE STARTING, REFER
 TO THE ASSEMBLING
 ADVICE IN ANNEX

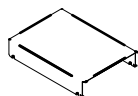
AVANT DE COMMENCER, SE
 REPORTER AUX CONSEILS
 DE MONTAGE EN ANNEXE

VOR DIE MONTAGE, BITTE
 BEILIEGENDE
 ANWEISUNGEN FOLGEN

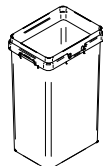
ANTES DE EMPEZAR
 CONSULTE LOS CONSEJOS
 PARA EL MONTAJE



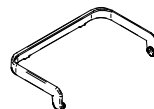
A x 1



B x 1



C x 2



D x 4



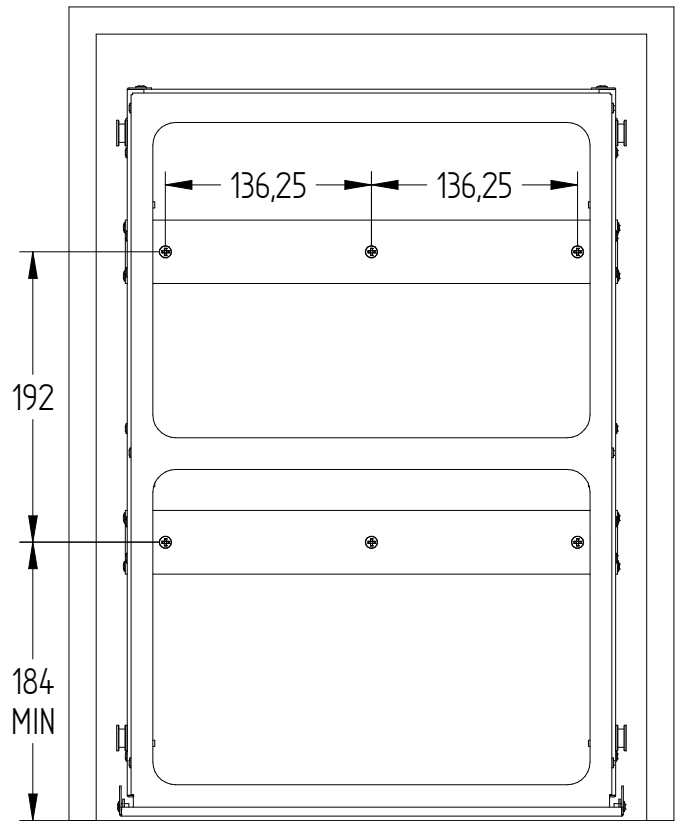
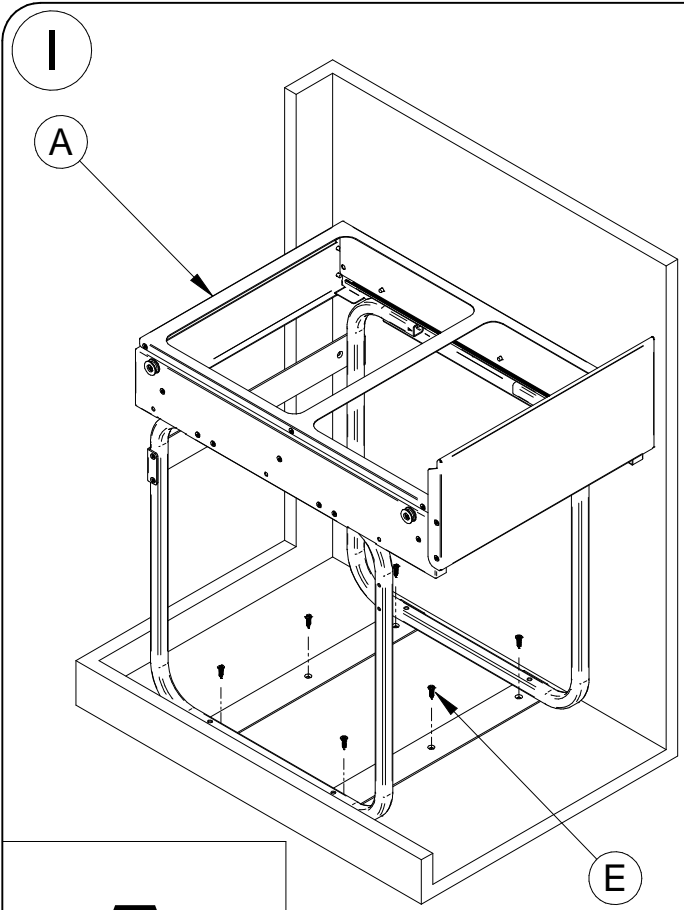
E x 6



F x 3

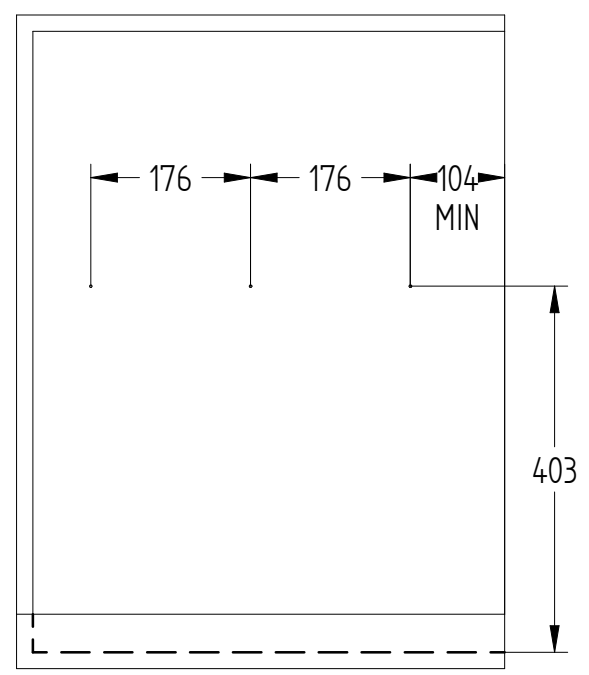
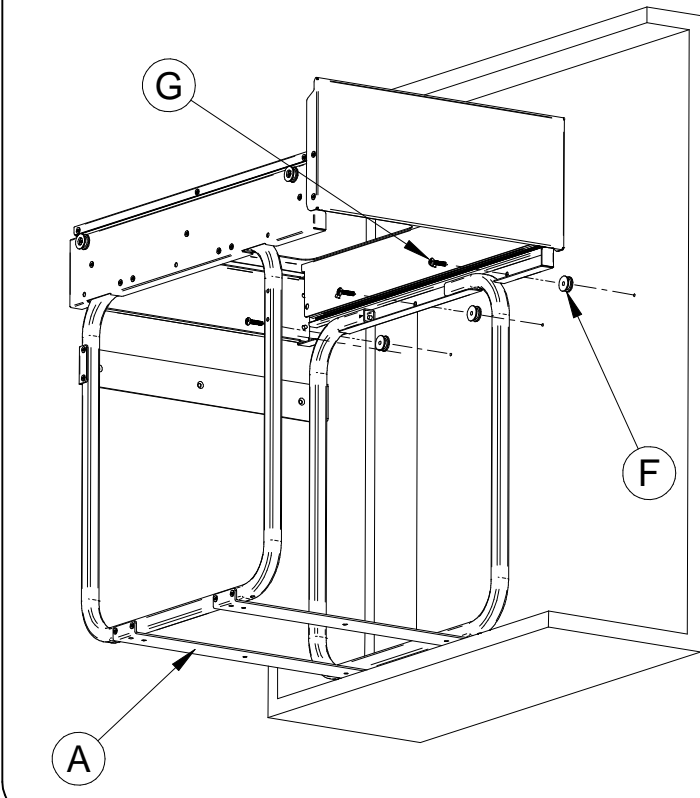


G x 3

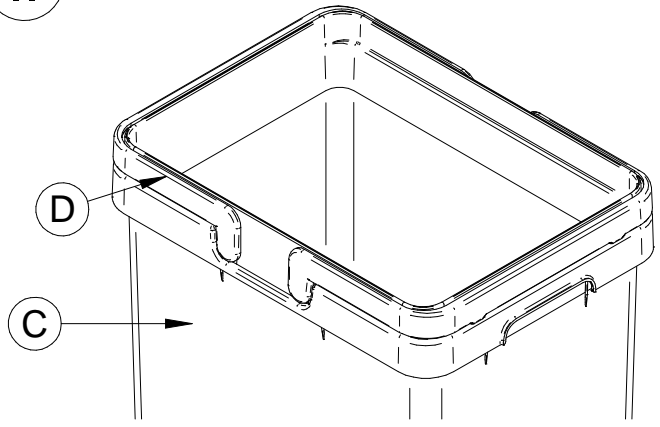


A

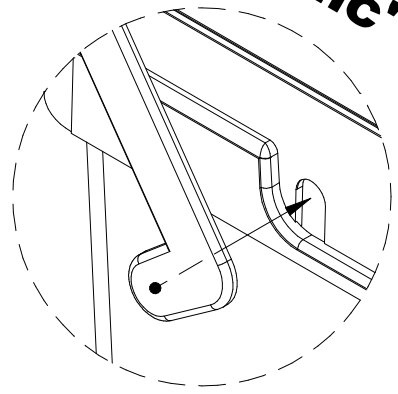
B



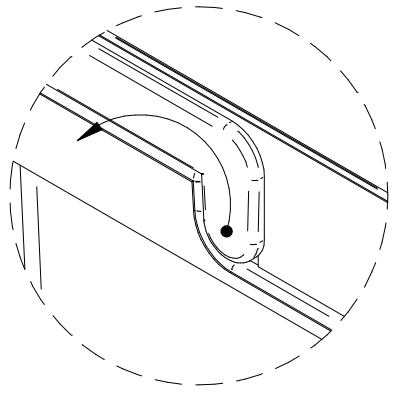
II



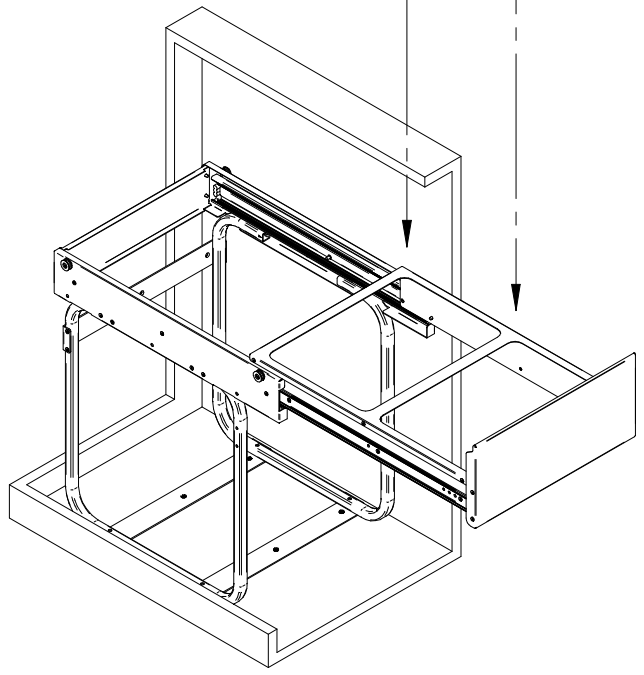
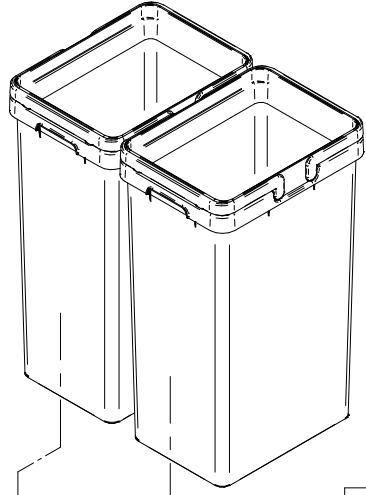
1 "Clic"



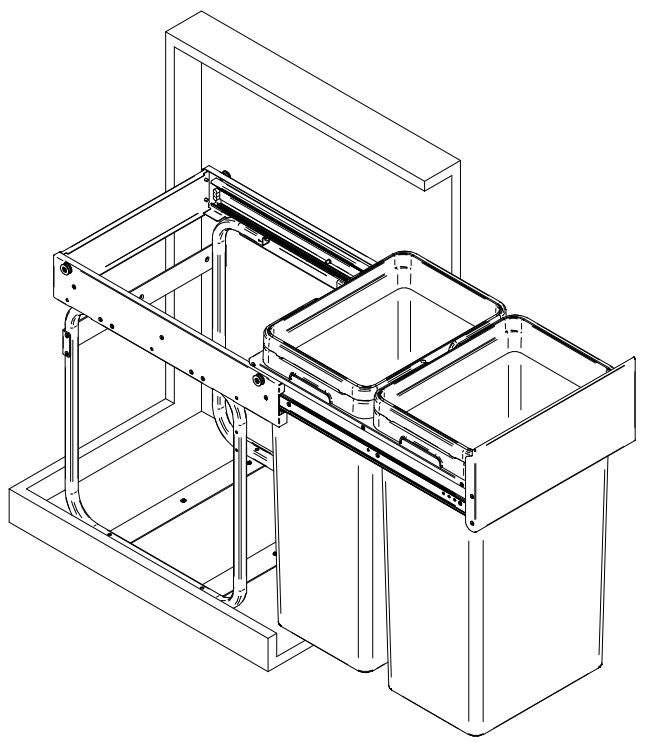
2



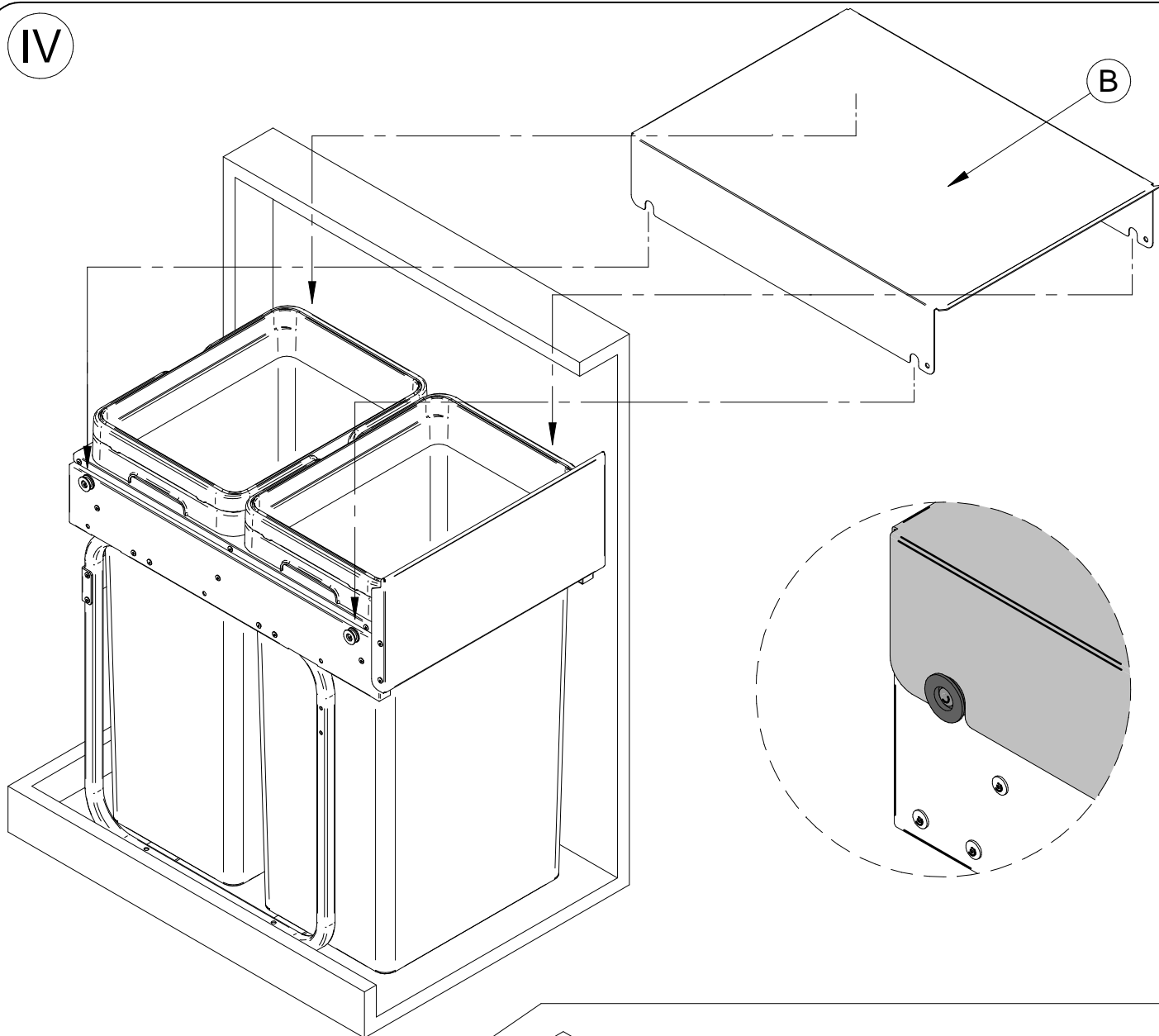
3



III



IV



V

